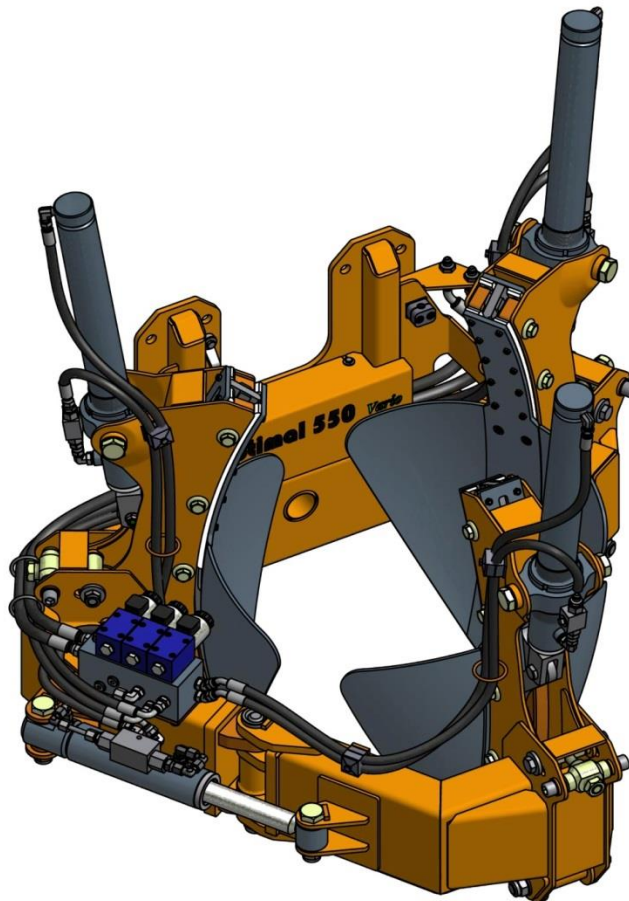


SPARE PARTS
ON
TREE SPADE OPTIMAL 550 *vario*

550V003 -



Manufacturer:

Optimal-Vertrieb Opitz GmbH
Eysolden M 41
91177 Thalmaessing
Germany

Phone: ++ 49 – 9173 – 79 18 0
Fax: ++ 49 – 9173 – 79 18 49
eMail: info@opitz-optimal.com
web: www.opitz-optimal.com

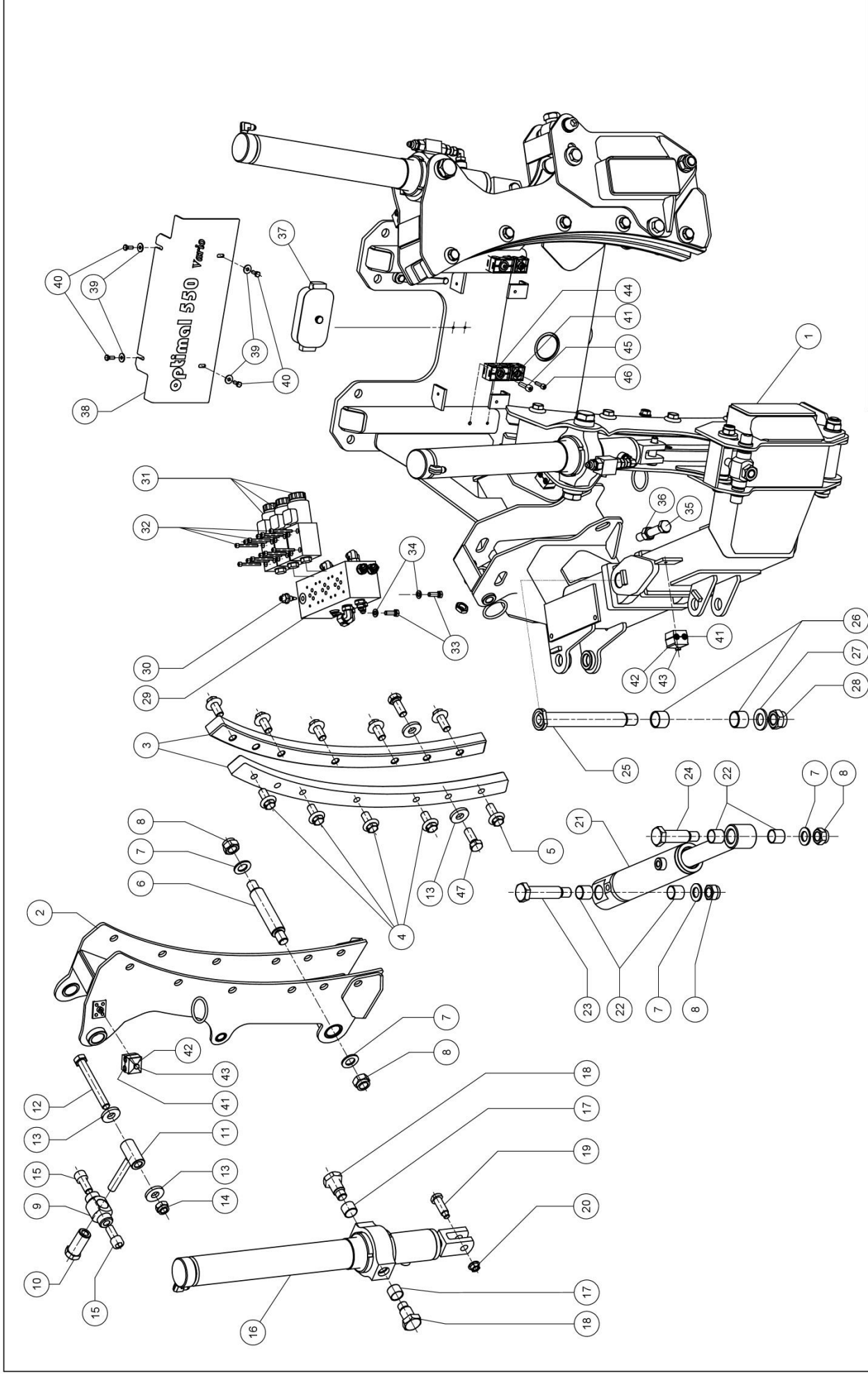
Distributor:

Fieldworks Nursery Equipment
5191 Dawes Rd
Grand Bay AL 36541
U.S.A.

Phone: 251-490-9871

eMail: sales@optimaltreespades.com
web: www.optimaltreespades.com

Ersatzteilliste - Spare Parts List - Liste De Pièces De Rechange Tafel - Table - Feuille 1



**GRNDMASCHINE
BASIC MACHINE
CADRE DE BASE**

Optimal
-Vertrieb Optitz GmbH
Espolten M41 91177 Thalmassing

Table 1**OPTIMAL 550 Vario - SPARE PARTS LIST****main frame**

<u>Item</u>	<u>Quantity</u>	<u>Description</u>	<u>Part Number</u>
1	1	main frame	
2	3	spade tower	3180550010
3	6	guides	3060550030
4	24	screw M 16 x 30	5011603000
5	6	screw M 16 x 35	5011603500
6	3	pivot pin 30 mm dia.	3070550020
7	8	flat washer M 20 DIN 125	506920
8	8	elastic stop nut M 20 x 1,5 DIN 985	50220150985
9	3	adjustment pin	3070760040
10	3	insert nut	3130760010
11	3	adjustment block	3140760010
12	3	vis M 16 x 130 DIN 931	50116130931
13	6	flat washer M 16 DIN 7349	5069161
14	3	elastic stop nut M 16 DIN 985	502160985
15	6	socket head screw M 16 x 35 DIN 912	50116035912
16	3	spade cylinder	3010100110
17	6	bush	544252820
18	6	adjustment pin	3070760050
19	3	spade pin	3140550010
20	3	lock nut M 12, SW 17	502120SW17

Table 1**OPTIMAL 550 Vario - SPARE PARTS LIST****main frame**

<u>Item</u>	<u>Quantity</u>	<u>Description</u>	<u>Part Number</u>
21	1	gate cylinder	3010200120
22	4	bush 2528-25	544252825
23	1	threaded bolt M 20 / ø25 / 125	3140550030
24	1	threaded bolt M 20 / ø25 / 105	3140550020
25	1	hinge pin ø30	3070550031
26	2	bush	544303425
27	2	washer 24	506924
28	1	lock nut M 24	50224150985
29	1	control block	3050550010
30	1	oil flow adjuster	3140880030
31	3	control valve NG06	547001
32	12	socket head screw M 5 x 50 DIN 912	50105050912
33	2	bolt M 8 x 20 DIN 933	50108020933
34	2	flat washer M 8 DIN 125	506908
35	1	bolt M 16 x 80 DIN 933	50116080933
36	1	nut M 16 DIN 934	502160934
37	1	electric distributor box	5998KV002142
38	1	protection for distribution box	5970550380
39	4	flat washer 6,4 DIN 9021	5069061
40	4	bolt M 6 x 16 DIN 933	50106016933

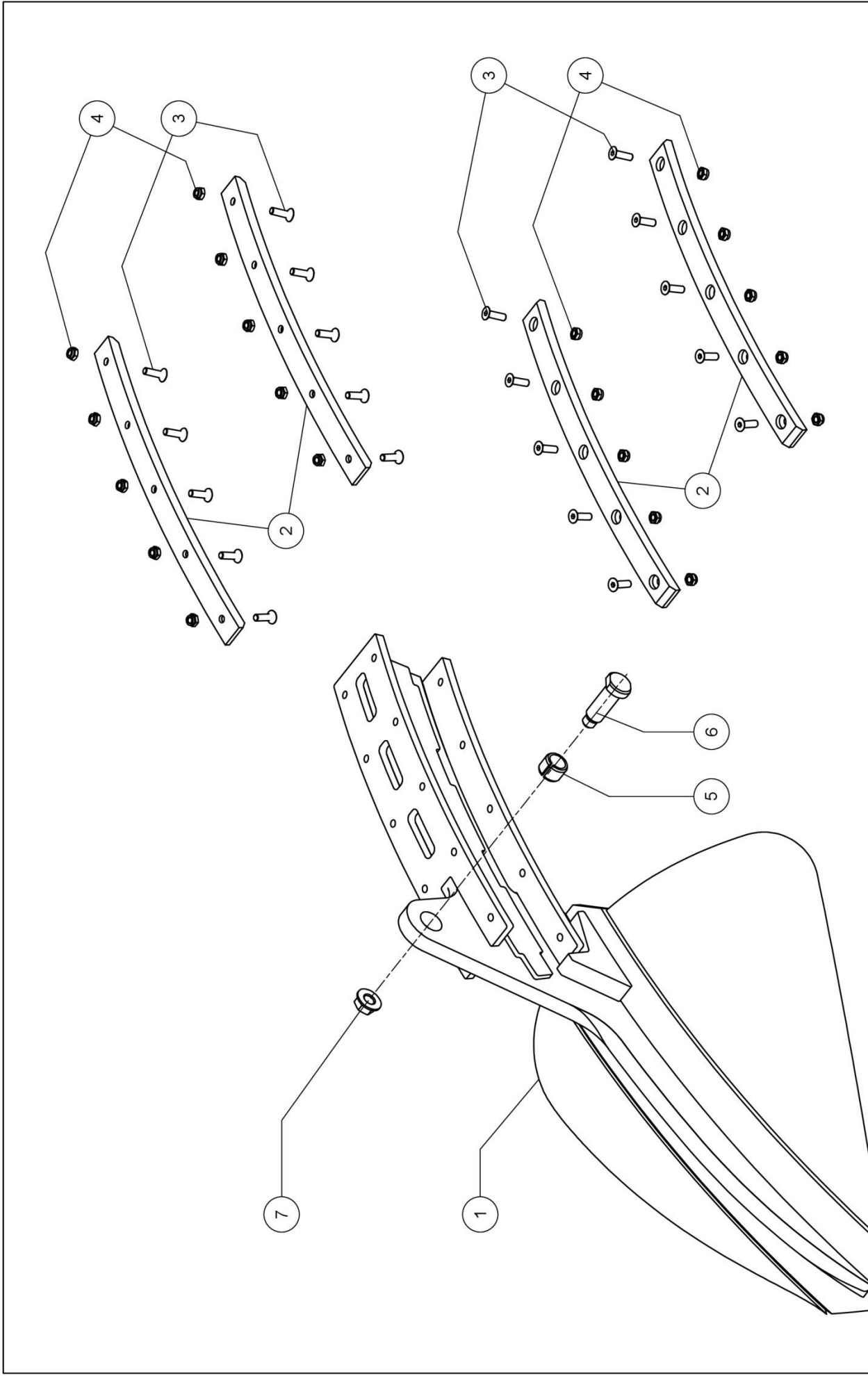
Table 1

OPTIMAL 550 Vario - SPARE PARTS LIST

main frame

<u>Item</u>	<u>Quantity</u>	<u>Description</u>	<u>Part Number</u>
41	6	double pipe clamp	510112
42	4	cover	5100DP-B1
43	4	bolt M 6 x 35 DIN 931	50106035931
44	2	double pipe clamp	510218
45	2	socket head screw M 8 x 30 DIN 912	50108030912
46	2	socket head screw M 6 x 30 DIN 912	50106030912
47	6	bolt M 16 x 40 DIN 933	50116040933

Ersatzteilliste - Spare Parts List - Liste De Pièces De Rechange **Tafel - Table - Feuille 2**



SPATEN 450
BLADE 450
BÉCHES 450

Optimal
-Vertrieb Optiz GmbH
Eybolden Mt. 91177 Thalheim

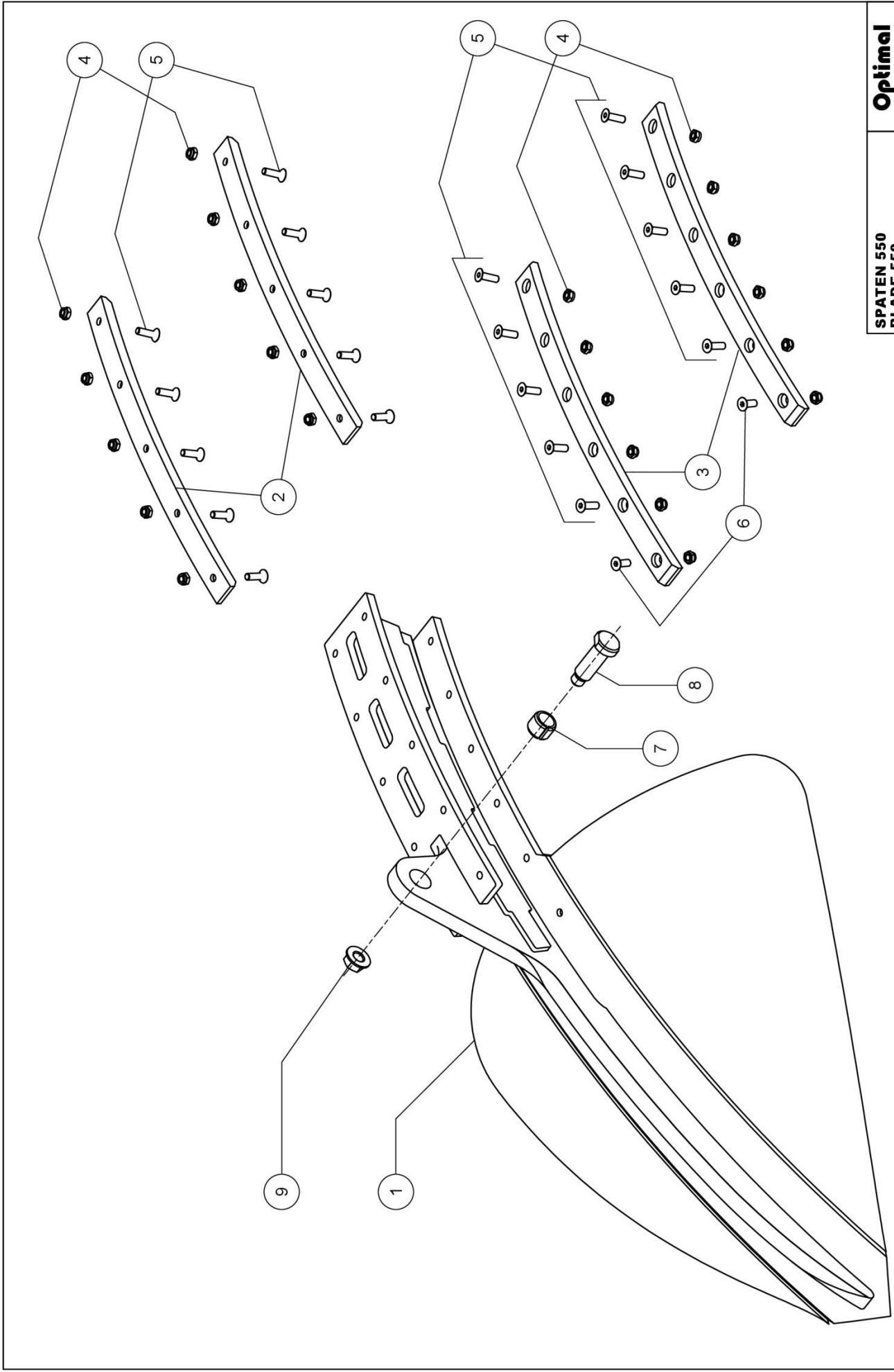
Table 2

OPTIMAL 550 Vario - SPARE PARTS LIST

spade 450

<u>Item</u>	<u>Quantity</u>	<u>Description</u>	<u>Part Number</u>
1	3	blade 450	317
2	12	plastic lining, short	3060550010
3	60	countersunk socket head screw M 6 x 20 DIN 7991	501060207991
4	60	elastic stop nut M 6 DIN 985	502060985
5	3	bush 16/22/16	5064162216
6	3	spade pin	3140550010
7	3	lock nut M 12	502120SW17

Ersatzteilliste - Spare Parts List - Liste De Pièces De Rechange Tafel - Table - Feuille 3



SPATEN 550
 BLADE 550
 BÉCHES 550

Optimal
 -Vertrieb Optiz GmbH
 Eybden M41 91177 Thalmässing

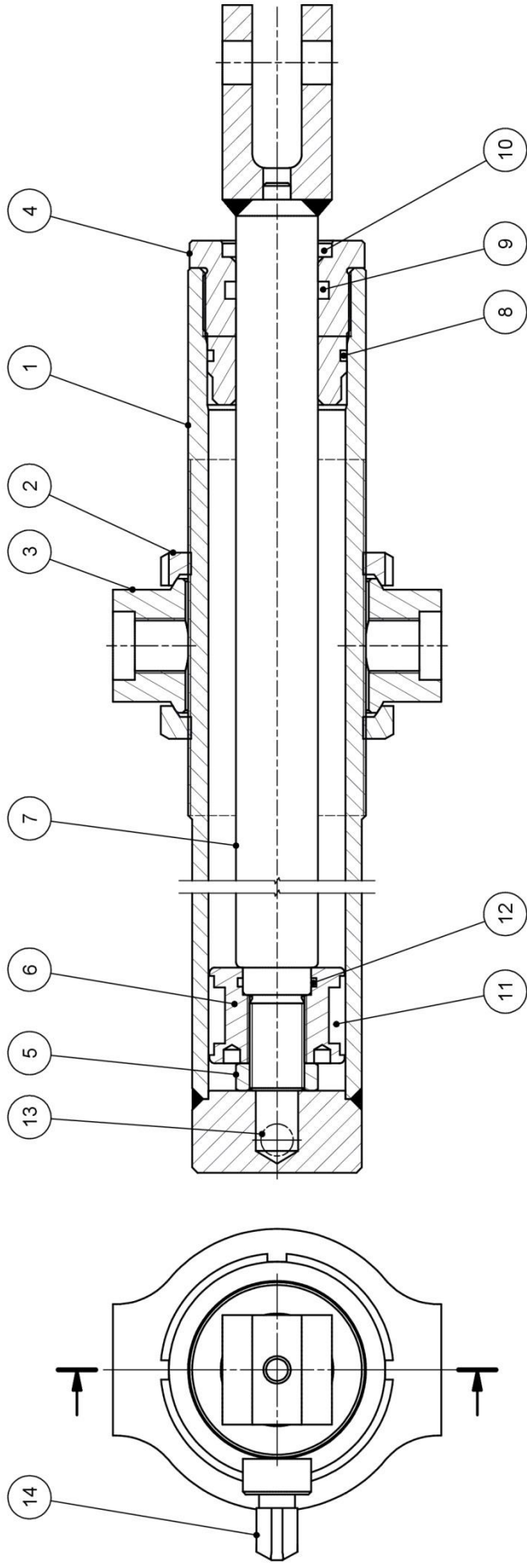
Table 3

OPTIMAL 550 Vario - SPARE PARTS LIST

spade 550

<u>Item</u>	<u>Quantity</u>	<u>Description</u>	<u>Part Number</u>
1	3	blade 550	317
2	6	plastic lining, short	3060550010
3	6	plastic lining, long	3060550020
4	66	elastic stop nut M 6 DIN 985	502060985
5	60	countersunk socket head screw M 6 x 20 DIN 7991	501060207991
6	6	countersunk socket head screw M 6 x 16 DIN 7991	501060167991
7	3	bush 16/22/16	5064162216
8	3	spade pin	3140550010
9	3	lock nut M 12	502120SW17

Ersatzteilliste - Spare Parts List - Liste De Pièces De Rechange Tafel - Table - Feuille 4



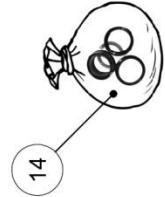
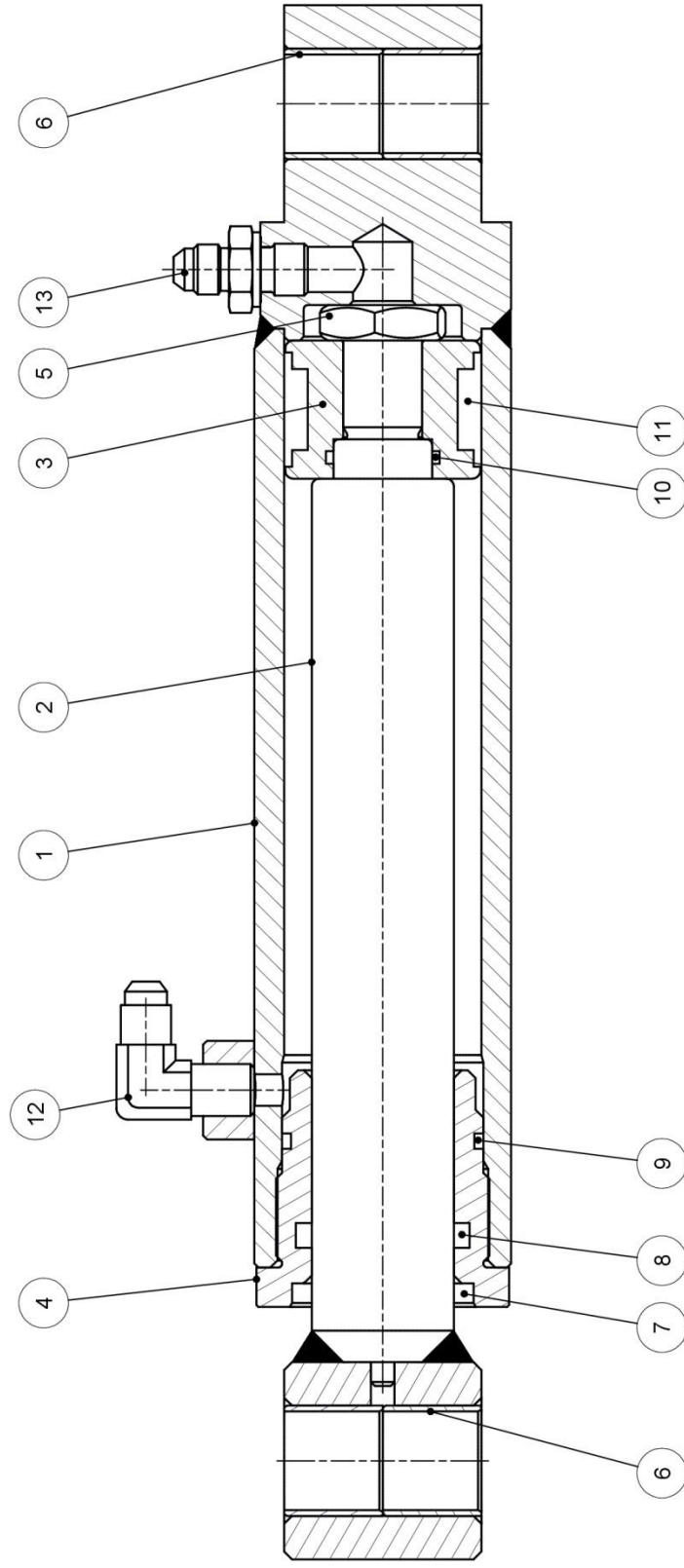
**SPATENZYLINDER
SPADE CYLINDER
VÉRIN DE BÊCHE**

Optimal
-Vertrieb Optitz GmbH
Eybolden Mt. 91177 Thalheim

Table 4**OPTIMAL 550 Vario - SPARE PARTS LIST****spade cylinder**

<u>Item</u>	<u>Quantity</u>	<u>Description</u>	<u>Part Number</u>
1	1	cylinder body	3020500190
2	2	slotted nut KM 13	31350313
3	1	cylinder suspension	3090760010
4	1	guide bush 50 30 360	3115030360
5	1	nut M 20 x 1,5 DIN 936	50220150936
6	1	piston HZ50/30	3125030250
7	1	piston rod Ø 30 x 606	3030300170
8	1	o-ring 45 x 3 90 Shore	517045030
9	1	rod seal S 8-30	5160230
10	1	scraper P7-30	5160330
11	1	piston seal TPM-5038	51604050038
12	1	o-ring 25 x 2,5 70 Shore	5170250025
13	1	elbow union	515070510813
14	1	elbow union	515070390813
15	1	seal kit	516005030612

Ersatzteilliste - Spare Parts List - Liste De Pièces De Rechange Tafel - Table - Feuille 5



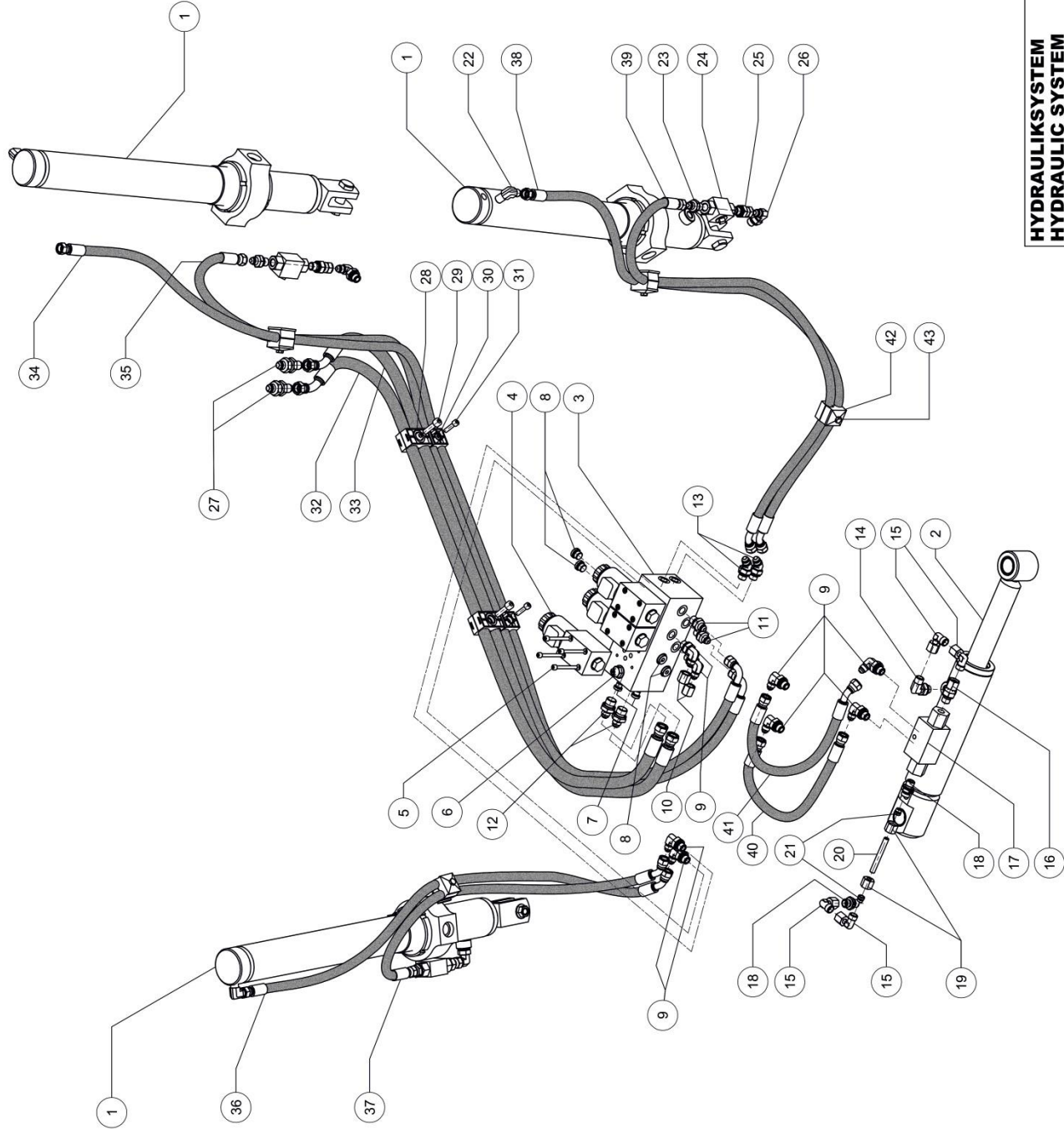
**ÖFFNUNGSZYLINDER
GATE CYLINDER
VÉRIN D'OUVERTURE**

Optimal
-Vertrieb Optiz GmbH
Eybolden Mt. 9117 Thalheim

Table 5**OPTIMAL 550 Vario - SPARE PARTS LIST****gate cylinder**

<u>Item</u>	<u>Quantity</u>	<u>Description</u>	<u>Part Number</u>
1	1	cylinder body	3020500180
2	1	piston rod ø 36 x 274	3030360200
3	1	piston HZ 50/30	3125030250
4	1	guide bush HZ 50/36	3115036360
5	1	nut M 20 x 1,5	50220150936
6	4	bush GSM-2528-25	544252825
7	1	scraper W5 – 36 x 46	5160336
8	1	piston rod seal SD 36x44x6,3	5160236446
9	1	o-ring 45 x 3 90 Shore	517045030
10	1	o-ring 25 x 2,5 70 Shore	5170250025
11	1	piston seal TPM 50 x 38	51604050038
12	1	elbow union	515070510813
13	1	union	515020230813
14	1	seal kit.....	516005036602

Ersatzteilliste - Spare Parts List - Liste De Pièces De Rechange Tafel - Table - Feuille 6



HYDRAULIKSYSTEM
HYDRAULIC SYSTEM
SYSTÈME HYDRAULIQUE

Optimal
 -Vertrieb Optiz GmbH
 Esplanade M41 91177 Thalmassing

Table 6**OPTIMAL 550 Vario - SPARE PARTS LIST****hydraulic system**

Item	Quantity	Description	Part Number
1	3	spade cylinder	3010100110
2	1	gate cylinder	3010200120
3	1	control block	3050550010
4	3	control valve NG06	547001
5	12	socket head screw M 5 x 50 DIN 912	50105050912
6	1	oil flow adjuster	3140880030
7	2	plug VSTI 1/8"	515VSTI1/8
8	4	plug VSTI 1/4"	515VSTI1/4
9	8	elbow union	515070390813
10	2	cover cap	5150103308
11	2	union	515020230813
12	2	union	515020231017
13	2	union 45°	515050260813
14	1	elbow union	515WEE08LR
15	4	elbow union	515EWV8L
16	1	union	515EVGE8LR
17	1	check valve	5478650400
18	2	union	515GE8LR
19	2	union ÜM 8L	515590
20	1	hydraulic pipe	53508

Table 6**OPTIMAL 550 Vario - SPARE PARTS LIST****hydraulic system**

Item	Quantity	Description	Part Number
21	2	cutting ring S8	515600
22	3	elbow union	515070510813
23	3	union	515020230813
24	3	ball valve IG ¼"	51503BHK61/4
25	3	union	515021770813
26	3	elbow union	515070390813
27	2	union	5150300210
28	2	double pipe clamp	510218
29	2	socket head screw M 8 x 30 DIN 912	50108030912
30	2	double pipe clamp	510112
31	2	socket head screw M 6 x 30 DIN 912	50106030912
32	1	hydraulic hose NW10, length 53,5"	513102136012
33	1	hydraulic hose NW10, length 54,7"	513102139012
34	1	hydraulic hose NW6, length 89"	513062226013
35	1	hydraulic hose NW6, length 80"	513062203013
36	1	hydraulic hose NW6, length 41"	513062104012
37	1	hydraulic hose NW6, length 32,3"	513062082012
38	1	hydraulic hose NW6, length 58"	513062147012
39	1	hydraulic hose NW6, length 48,4"	513062123012
40	1	hydraulic hose NW6, length 16"	513062041011

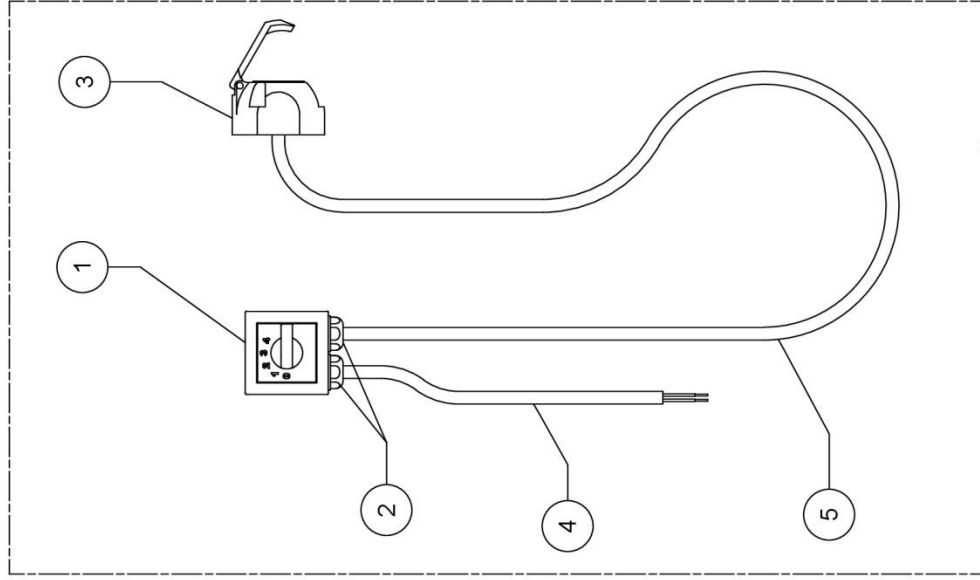
Table 6

OPTIMAL 550 Vario - SPARE PARTS LIST

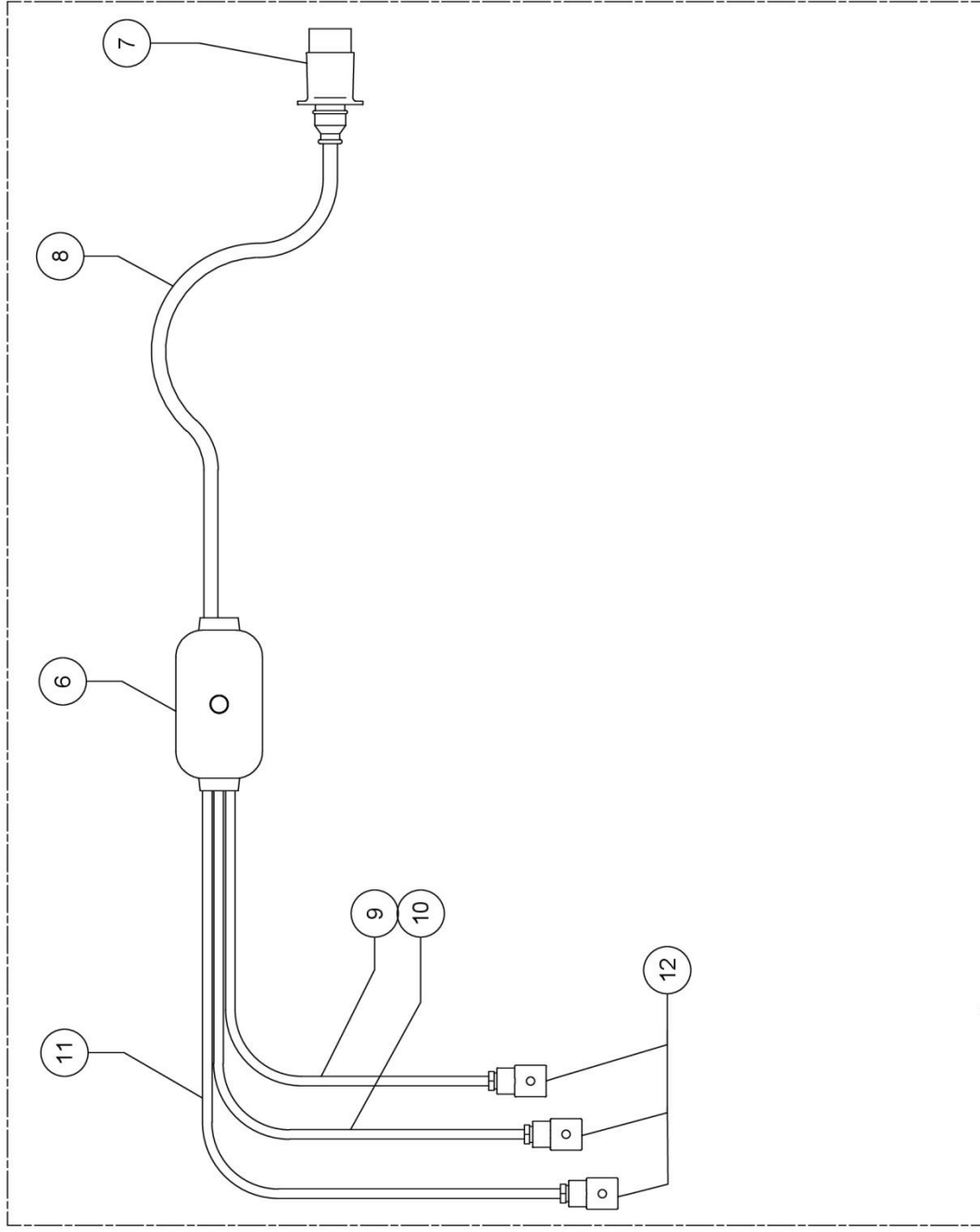
hydraulic system

Item	Quantity	Description	Part Number
41	1	hydraulic hose NW6, length 21"	513062053012
42	1	double pipe clamp	510112
43	1	cover	5100DP-B1
	4	bolt M 6 x 35 DIN 931	50106035931

Ersatzteilliste - Spare Parts List - Liste De Pièces De Recharge Tafel - Table - Feuille 7



13



14

STEUERTEIL
CONTROL BOX
BOÎTIER DE CONTRÔLE

Optimal
-Vertrieb Optatz GmbH
Eyobden 141 91177 Thalmässing

Table 7**OPTIMAL 550 Vario - SPARE PARTS LIST****electric Controls**

Item	Quantity	Description	Part Number
1	1	electro-selector switch /4	5470A242-521
2	2	cable fitting M20x1,5	5121100000
3	1	7-pole socket	5998JB7-POL
4	1	cable 2x1,5 – 59”	5122015
5	1	cable 5 x 1,5 – 216”	5125015
6	1	electric distributor box	5998KV002142
7	1	7-pole plug	5998JA7-POL
8	1	cable 5 x 1,5 – 71”	5125015
9	1	spades - cable 2 x 1,5	5122015
10	1	auxiliary - cable 2 x 1.5	5122015
11	1	gate – cable 2 x 1.5	5122015
12	3	standard plug	54743650
13	1	switch 4 function, with wiring harness	20133000
14	1	electro-distribution box compl. wired	2014055010