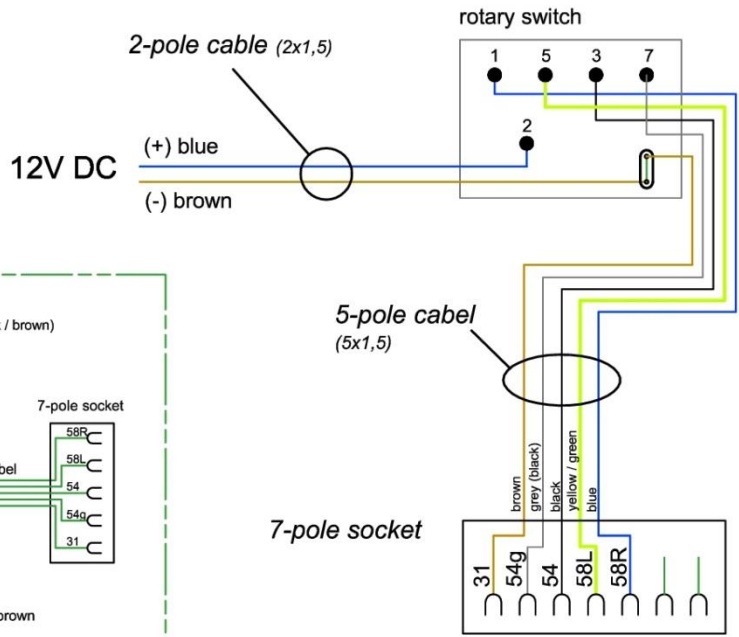
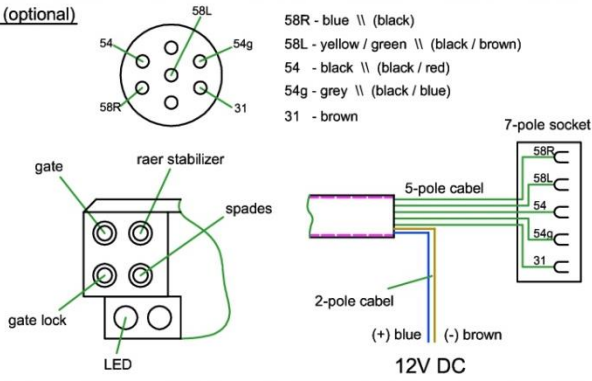


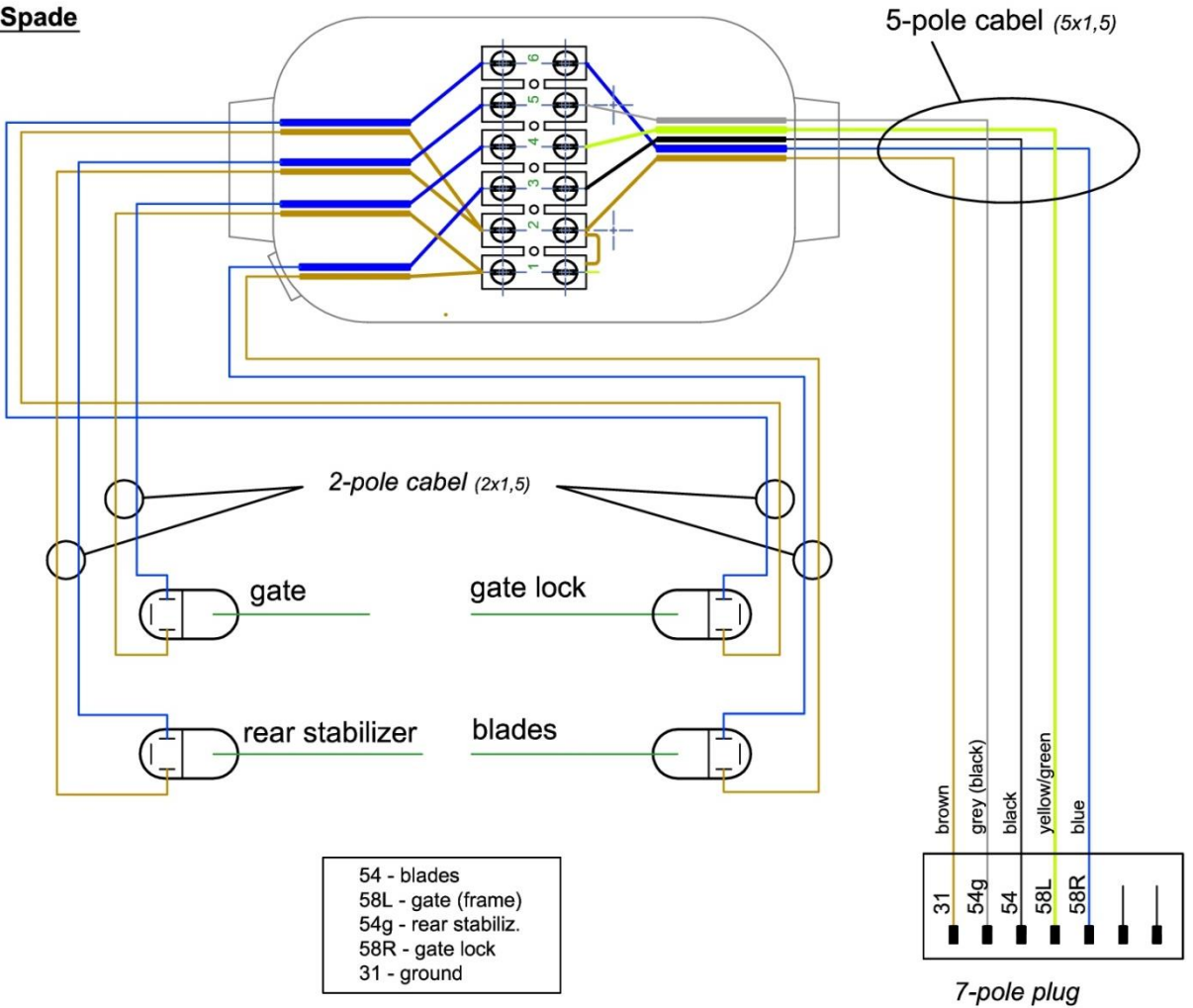
Power Unit



Joystick (optional)



Tree Spade



7-Pole Plug

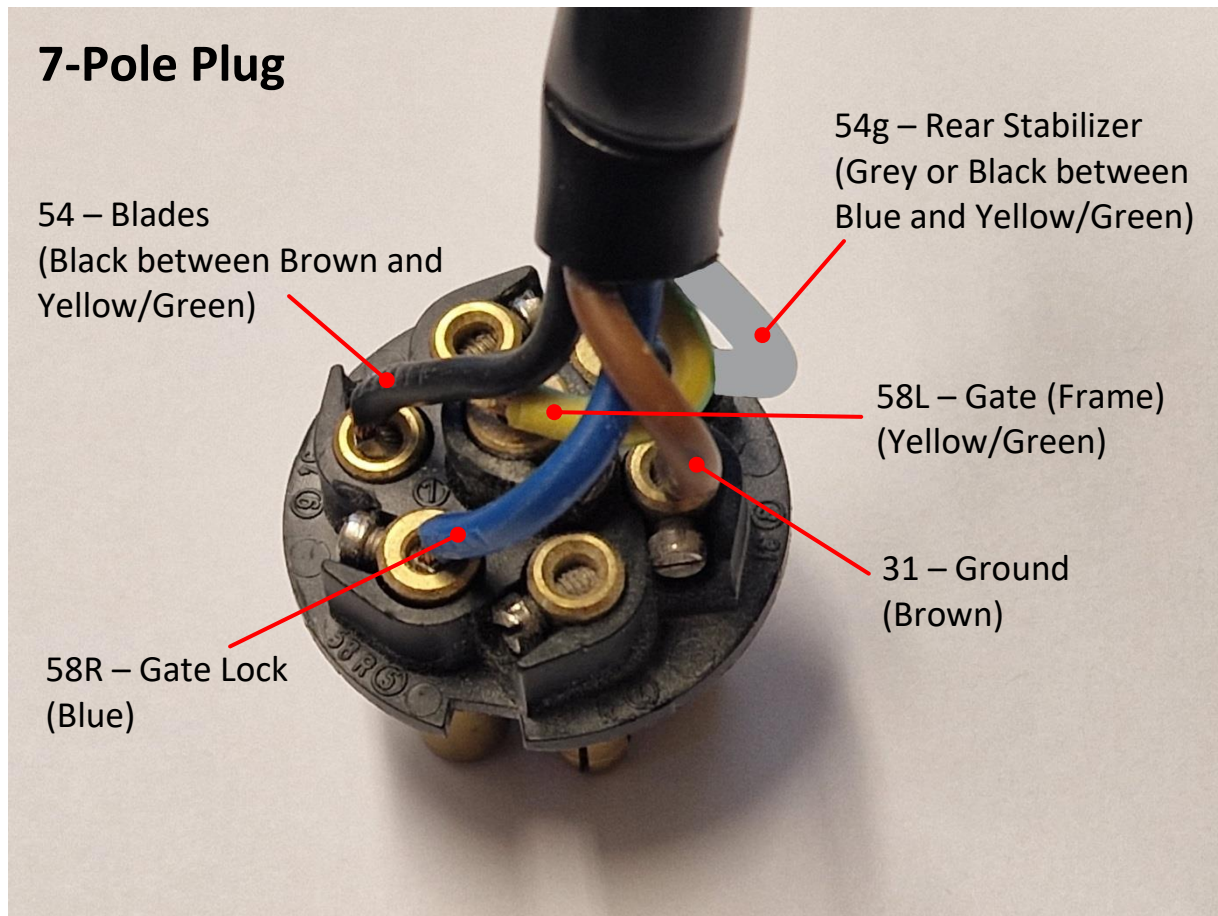
54 – Blades
(Black between Brown and
Yellow/Green)

54g – Rear Stabilizer
(Grey or Black between
Blue and Yellow/Green)

58L – Gate (Frame)
(Yellow/Green)

31 – Ground
(Brown)

58R – Gate Lock
(Blue)



7-Pole Socket

54g – Rear Stabilizer
(Grey or Black between
Blue and Yellow/Green)

54 – Blades
(Black between
Brown and Yellow/
Green)

58L – Gate (Frame)
(Yellow/Green)

31 – Ground
(Brown)

58R – Gate Lock
(Blue)

