



Optimal

optimal P650



Tree Spade



Requirements for Power Unit:

A Wheel Loader, Skid Steer Loader, Telescopic Loader

1 extra hydraulic circuit, double-acting, for implement attachment at front

- hydraulic working pressure 140 - 180 bar (2,000-2,560 lbs./in²)
- oil flow 40-60 l per minute (11-16 GPM)
- tipping load approx. 1.000 kg (1,800 lbs.)
- lift capacity approx. 600 kg (900 lbs.)
- type of attachment quick-change frame or frame for fixed attachment
- controls: electro-hydraulic valves rotary control switch

B Farm Tractor

1 extra hydraulic circuit, double-acting, for implement attachment at rear

- hydraulic working pressure 140 - 180 bar (2,000-2,560 lbs./in²)
- oil flow 40-60 l per minute (11-16 GPM)
- engine capacity approx. 40 HP
- type of attachment lift mast HG 1500 with lateral slide
- controls 3 manual hydraulic valves for lift mast rotary control switch for tree spade
- optional PTO-driven hydraulic pump and oil depot

C Special attachments please enquire



Optimal

optimal P650



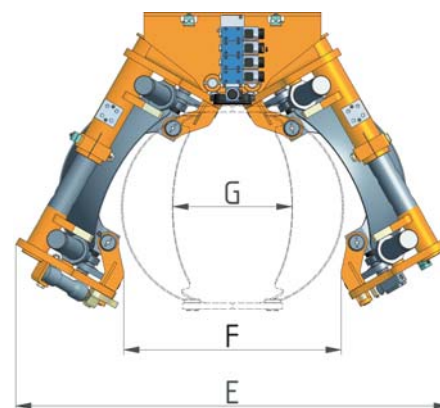
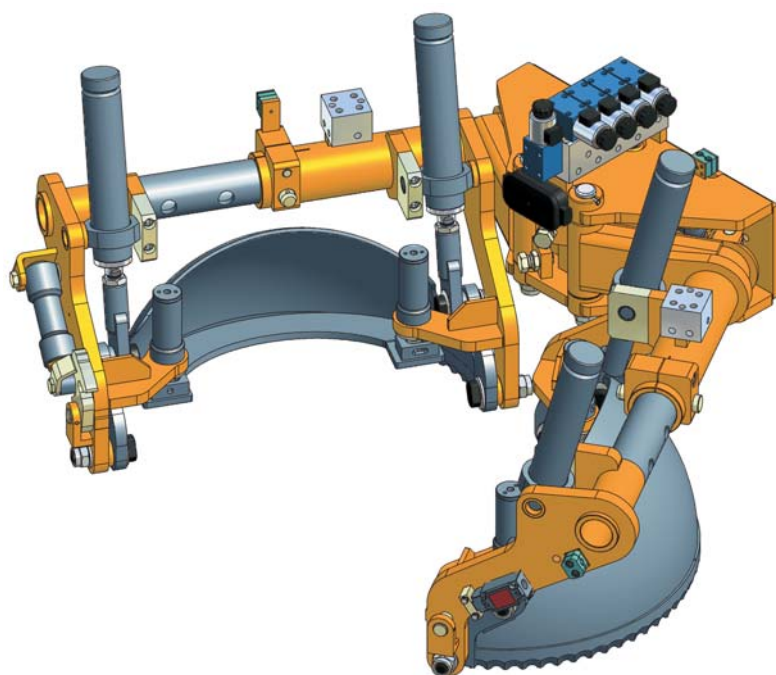
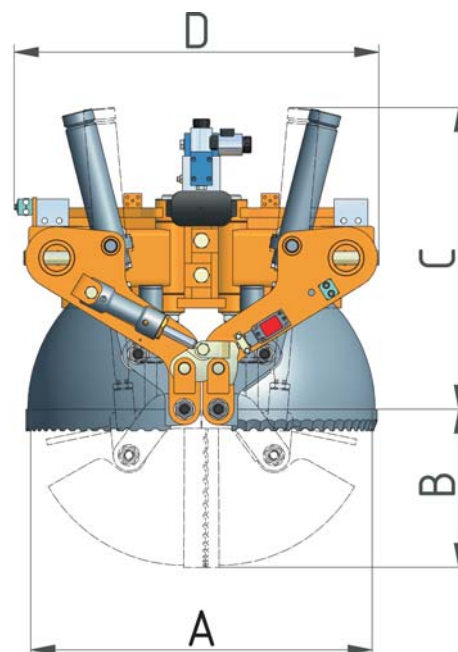
Tree Spade

Basic Machine:

upper rootball diameter, approx.	A	65 cm (26")	55 cm (21")	45 cm (17")
rootball depth, approx.	B	32 cm (13")	28 cm (11")	23 cm (9")
working height	C	66 cm (26")	65 cm (26")	64 cm (25")
working width, gate closed	D	73 cm (29")	73 cm (29")	73 cm (29")
working width, gate open	E	142 cm (56")	132 cm (52")	122 cm (48")
clearance between open gate	F	71 cm (28")	61 cm (24")	52 cm (20")
inner frame diameter	G	43 cm (17")	37 cm (15")	32 cm (13")
weight, empty		298 (655 lbs.)	289 (636 lbs.)	281 kg (618 lbs.)
volume of rootball, approx.		0,079 m ³ (2 FT ³)	0,049 m ³ (1,5 FT ³)	0,027 m ³ (1 FT ³)
number of blades		2	2	2

Special Features

- low working height
- interchangeable scoop bades
- hydraulic rootball retainers
- self-lubricating bearings, abrasion-resistant



rotary control switch



Distributor:



Fieldworks Nursery Equipment
 5191 Dawes Rd
 Grand Bay AL 36541
 USA
 Phone1: (251) 490-9871
 Phone2: (251) 633-3400
 Fieldgrown@gmail.com
 http://optimaltreespades.com

Manufacturer:



Optimal-Vertrieb Opitz GmbH
 Eysölden M 41
 91177 Thalmässing
 Germany
 Tel. + 49 91 73/79 18 0
 Fax. + 49 91 73/79 18 49
 info@opitz-optimal.com
 www.opitz-optimal.com