



Optimal

optimal 760



Tree Spade



Requirements for Power Unit:

A Wheel Loader, Skid Steer Loader, Telescopic Loader

- 1 extra hydraulic circuit, double-acting, for implement attachment at front
- hydraulic working pressure 160 - 200 bar (2,300 - 2,900 lbs./in²)
- oil flow 40-60 l per minute (18-22 GPM)
- tipping load approx. 1.800 kg (3,600 lbs.)
- lift capacity approx. 1.200 kg (1,800 lbs.)
- type of attachment quick-change frame or frame for fixed attachment
- controls: electro-hydraulic valves, rotary control switch

B Farm Tractor

- hydraulic working pressure 160 - 200 bar (2,300 - 2,900 lbs./in²)
- oil flow 40-60 l per minute (18-22 GPM)
- engine capacity approx. 60 HP
- type of attachment lift mast HG 1500 with lateral slide
- controls 3 manual hydraulic valves for lift mast, rotary control switch for tree spade
- optional: PTO-driven hydraulic pump and oil depot

C Special Attachments please inquire



Optimal

optimal 760



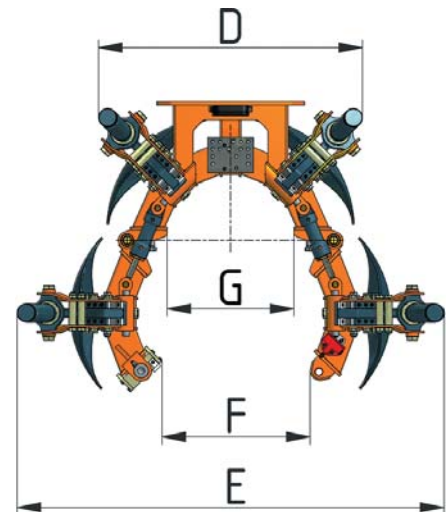
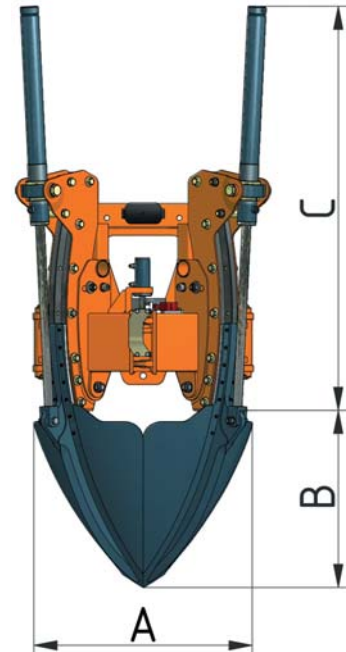
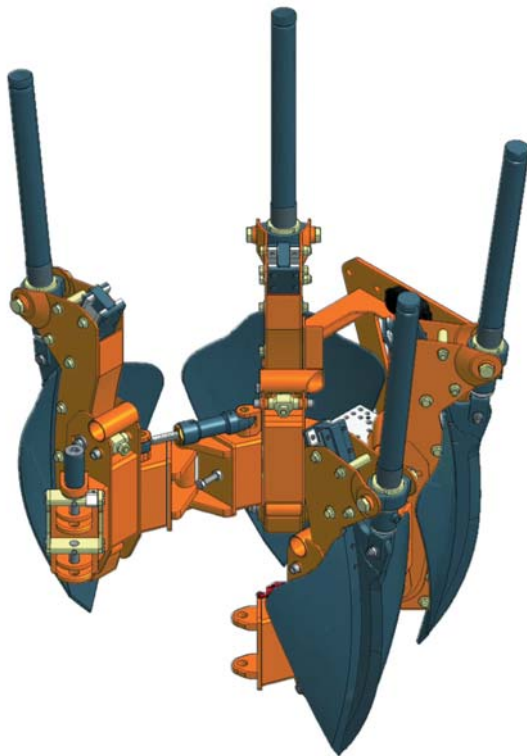
Tree Spade

Basic Machine:

| | | | |
|----------------------------------|---|---------------------|----------------------|
| upper rootball diameter, approx. | A | 76 cm | (30") |
| rootball depth, approx | B | 60 cm | (24") |
| working height | C | 140 cm | (55") |
| working width, gate closed | D | 89 cm | (35") |
| working width, gate open | E | 145 cm | (57") |
| clearance between open gate | F | 50 cm | (20") |
| inner frame diameter | G | 43 cm | (17") |
| weight, empty | | 470 kg | (1,034 lbs.) |
| volume of rootball, approx. | | 0,13 m ³ | (4 FT ³) |
| number of blades | | 4 | |

Special Features

- extra large rootball depth
- collapsible spade towers for fast and precise spade alignment
- self-lubricating bearings, abrasion-resistant
- gate lock with safety switch



rotary control switch



Distributor:



Fieldworks Nursery Equipment
 5191 Dawes Rd
 Grand Bay AL 36541
 USA
 Phone1: (251) 490-9871
 Phone2: (251) 633-3400
 Fieldgrown@gmail.com
<http://optimaltreespades.com>

Manufacturer:



Optimal-Vertrieb Opitz GmbH
 Eysölden M 41
 91177 Thalmässing
 Germany
 Tel. + 49 91 73/79 18 0
 Fax. + 49 91 73/79 18 49
info@opitz-optimal.com
www.opitz-optimal.com