



Optimal

optimal 650 o/s



Tree Spade



Requirements for Power Unit:

A Wheel-Loader, Skid Steer Loader, Telescopic Loader

1 extra hydraulic circuit, double-acting, for implement attachment at front

- hydraulic working pressure 140 - 180 bar (2,000-2,560 lbs./in²)
- oil flow 40-60 l per minute (11-16 GPM)
- tipping load approx. 1.500 kg (2,200 lbs.)
- lift capacity approx. 1.000 kg (1,320 lbs.)
- type of attachment quick-change frame or frame for fixed attachment
- controls electro-hydraulic valves, rotary control switch

B Farm Tractor

1 extra hydraulic circuit, double-acting, for implement attachment at rear

- hydraulic working pressure 140 - 180 bar (2,000-2,560 lbs./in²)
- oil flow 40-60 l per minute (11-16 GPM)
- engine capacity approx. 40 HP
- type of attachment lift mast HG 1500 with lateral slide
- controls 3 manual hydraulic valves for lift mast rotary control switch for tree spade
- optional PTO-driven hydraulic pump and oil depot

C Special attachments please enquire



Optimal

optimal 650 o/s



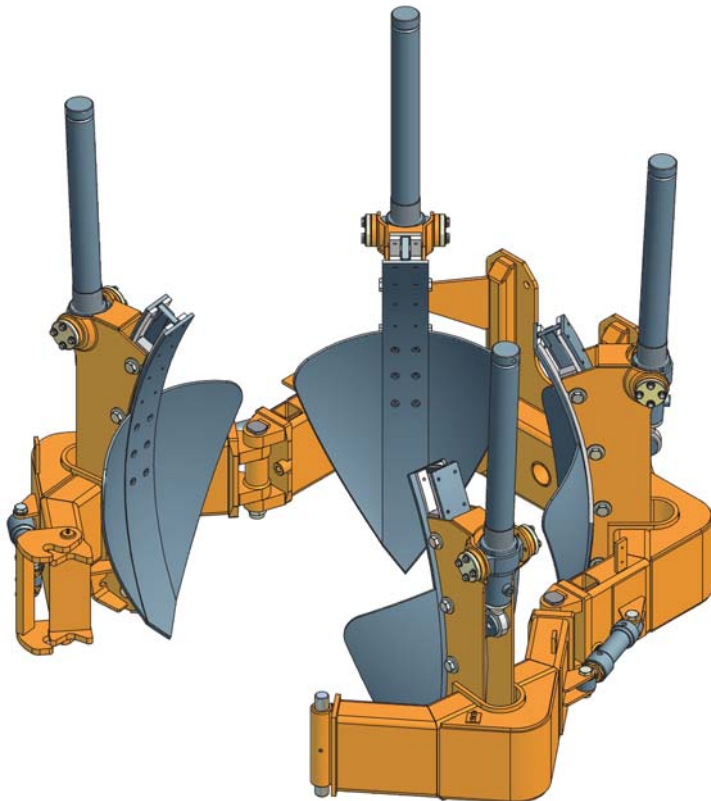
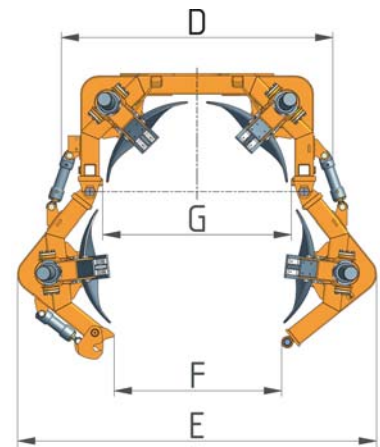
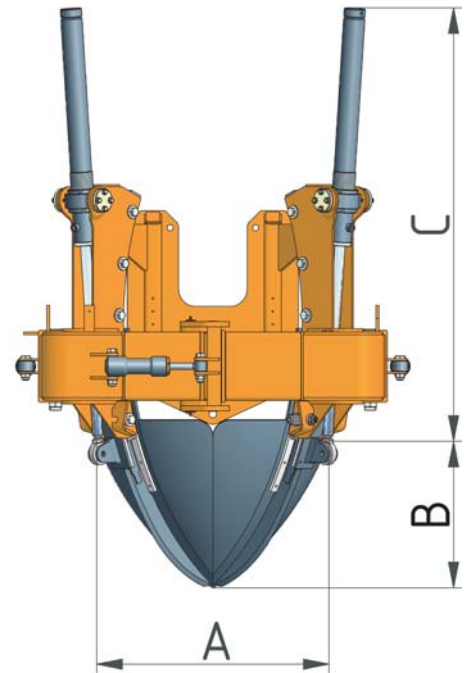
Tree Spade

Basic Machine:

upper rootball diameter, approx.	A	65 cm	(26")
rootball depth, approx.	B	49 cm	(19")
working height	C	125 cm	(49")
working width, gate closed	D	116 cm	(45")
working width, gate open	E	137 cm	(54")
clearance between open gate	F	58 cm	(23")
inner frame diameter	G	56 cm	(22")
weight, empty		425 kg	(935 lbs.)
volume of rootball, approx.		0,11 m ³	(4 FT ³)
number of blades		4	

Special Features

- exterior gate frame
- self-lubricating bearings, abrasion-resistant



rotary control switch



Distributor:



Fieldworks Nursery Equipment
 5191 Dawes Rd
 Grand Bay AL 36541
 USA
 Phone1: (251) 490-9871
 Phone2: (251) 633-3400
 Fieldgrown@gmail.com
 http://optimaltreespades.com

Manufacturer:



Optimal-Vertrieb Opitz GmbH
 Eysölden M 41
 91177 Thalmässing
 Germany
 Tel. + 49 91 73/79 18 0
 Fax. + 49 91 73/79 18 49
 info@opitz-optimal.com
 www.opitz-optimal.com