



Optimal

optimal 30.25



Tree Spade



Requirements for Power Unit:

A Wheel-Loader, Skid Steer Loader, Telescopic Loader

1 extra hydraulic circuit at front, double-acting, for implements

- hydraulic working pressure 160 - 220 bar (2,300 - 3,190 lbs./in²)
- oil flow 40-80 l per minute (11-22 GPM)
- tipping load approx. 2.400 kg (5,300 lbs.)
- lift capacity approx. 1.200 kg (2,650 lbs.)
- type of attachment quick-change frame
- controls electro-hydraulic valves, individual blade control electric control element

B Farm Tractor

1 extra hydraulic circuit, at front or back, double-acting, for implements

- hydraulic working pressure 160 - 220 bar (2,300 - 3,190 lbs./in²)
- oil flow 40-80 l per minute (11-22 GPM)
- engine capacity, approx. 60 HP
- type of attachment lift mast HG 1500 with lateral slide
- controls 3 manual hydraulic valves for lift mast and electric control element for tree spade
- optional PTO-driven hydraulic pump and oil depot

C For Special Attachments

please inquire



Optimal

optimal 30.25



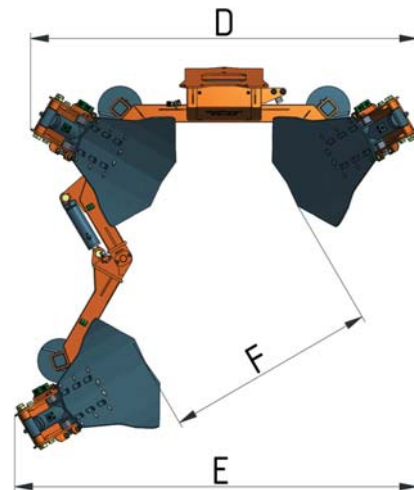
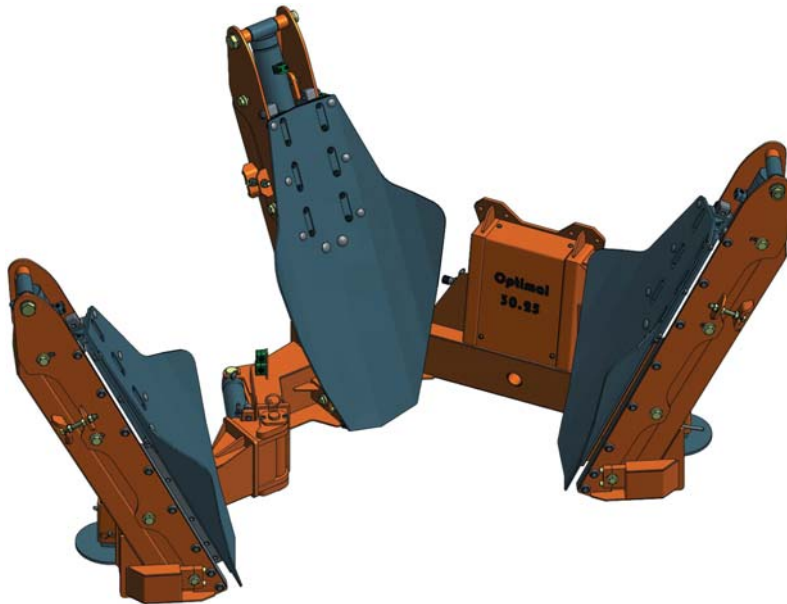
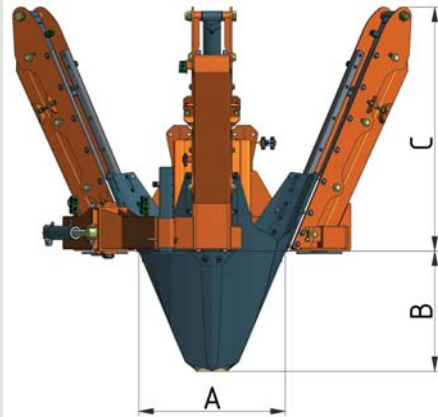
Tree Spade

Basic Machine:

upper rootball diameter, approx.	A	78 cm	(31")
rootball depth, approx.	B	66 cm	(26")
working height	C	135 cm	(53")
working width, gate closed	D	216 cm	(85")
working width, gate open	E	226 cm	(89")
clearance between open gate	F	117 cm	(46")
weight, empty		790 kg	(1,742 lbs.)
volume of rootball, approx.		0,14 m ³	(5 FT ³)
number of blades		3	

Special Features & Improvements

- Individual spade control
- sturdy frame with enlarged cross-section and reinforced hinge
- mechanism for infinitely adjustable and precise spade alignment
- self-lubricating bearings, abrasion-resistant
- improved hydraulic system for faster operation
- less working height due to telescopic cylinders



Electric control element



Distributor:



Fieldworks Nursery Equipment
 5191 Dawes Rd
 Grand Bay AL 36541
 USA
 Phone1: (251) 490-9871
 Phone2: (251) 633-3400
 Fieldgrown@gmail.com
<http://optimaltreespades.com>

Manufacturer:



Optimal-Vertrieb Opitz GmbH
 Eysölden M 41
 91177 Thalmässing
 Germany
 Tel. + 49 91 73/79 18 0
 Fax. + 49 91 73/79 18 49
info@opitz-optimal.com
www.opitz-optimal.com