



Optimal

optimal 1800



Tree Spade



Requirements for Power Unit:

A Wheel-Loader, Skid Steer Loader, Telescopic loader

1 extra hydraulic circuit, double-acting, for implement attachment at front

- hydraulic working pressure 160 - 200 bar (2,300-2,900 lbs./in²)
- oil flow 50-80 l per minute (13-22 GPM)
- tipping load approx. 11.000 kg (22,000 lbs.)
- lift capacity approx. 6.500 kg (14,300 lbs.)
- type of attachment quick-change frame or frame for fixed attachment
- controls electro-hydraulic valves, rotary control switch

B truck

- Wheel formula: 4x 4
- Payload: 9.200 kg (20,240 lbs)
- Permissible rear axles load, min.: 12.000 kg (26,400 lbs)
- Permissible gross weight min.: 18.000 kg (39,600 lbs)
- Length of superstructure, min.: 420 cm (165")
- Overhang max.: 120 cm (47")
- Wheelbase min.: 360 cm (142")
- PTO drive hydraulic pressure: 160 - 200 bar (2,300 – 2,900 lbs/in²)
- oil flow: 50 - 80 l per minute (13 – 22 GPM)
- controls: manual hand valves

C Special Attachments please enquire



Optimal

optimal 1800



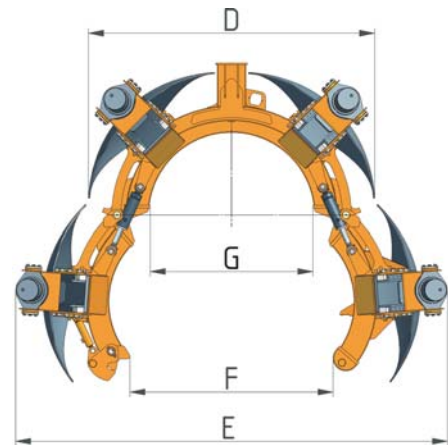
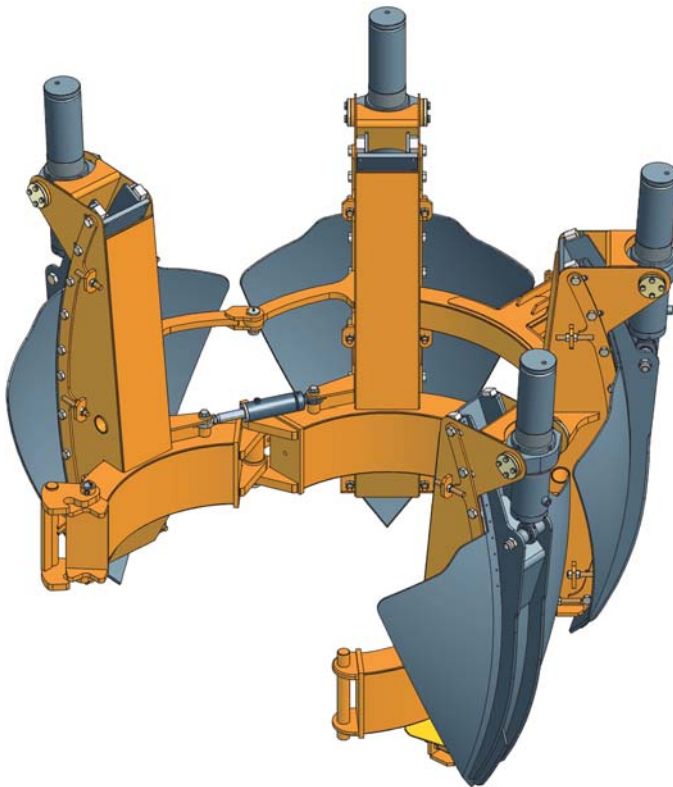
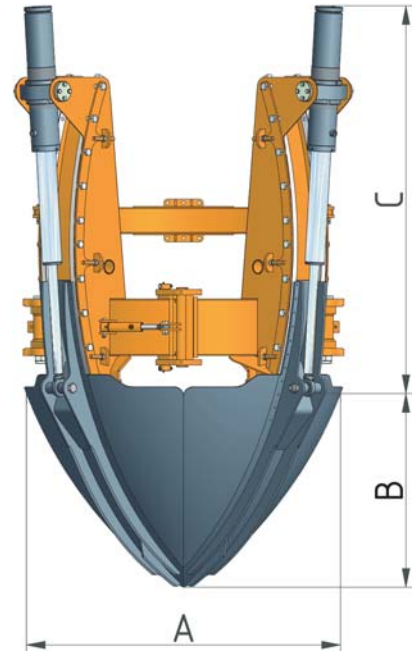
Tree Spade

Basic Machine:

upper rootball diameter, approx.	A	180 cm	(71")
rootball depth, approx.	B	106 cm	(42")
working height	C	240 cm	(96")
working width, gate closed	D	215 cm	(85")
working width, gate open	E	330 cm	(130")
clearance between open gate	F	160 cm	(62")
inner frame diameter	G	130 cm	(52")
weight, empty		2.700 kg	(5940 lbs.)
volume of rootball, approx.		1,23 m ³	(43 FT ³)
number of blades		4	

Special Features

- telescopic blade cylinders
- self-lubricating bearings, abrasion-resistant



rotary control switch

Distributor:



Fieldworks Nursery Equipment
 5191 Dawes Rd
 Grand Bay AL 36541
 USA
 Phone1: (251) 490-9871
 Phone2: (251) 633-3400
 Fieldgrown@gmail.com
 http://optimaltreespades.com

Manufacturer:



Optimal-Vertrieb Opitz GmbH
 Eysölden M 41
 91177 Thalmässing
 Germany
 Tel. + 49 91 73/79 18 0
 Fax. + 49 91 73/79 18 49
 info@opitz-optimal.com
 www.opitz-optimal.com