



**Optimal**

# optimal 1700



Tree Spade

Requirements for Power Unit:

## A Wheel Loader, Skid Steer Loader, Telescopic Loader

1 extra hydraulic circuit, double-acting, for implement attachment at front

- hydraulic working pressure 160 - 200 bar (2,300-2,900 lbs./in<sup>2</sup>)
- oil flow 50-80 l per minute (13-22 GPM)
- tipping load approx. 8.500 kg (18,700 lbs.)
- lift capacity approx. 5.000 kg (11,000 lbs.)
- type of attachment quick-change frame or frame for fixed attachment
- controls: electro-hydraulic valves rotary control switch

## B truck

- Wheel formula: 4x 4
- Payload: 6.800 kg (14,960 lbs.)
- Permissible rear axles load, min.: 10.000 kg (22,000 lbs.)
- Permissible gross weight min.: 15.000 kg (33,000 lbs.)
- Length of superstructure, min.: 420 cm (165")
- Overhang max.: 120 cm (47")
- Wheelbase min.: 360 cm (142")
- PTO drive hydraulic pressure: 160 - 200 bar (2,300 – 2,900 lbs/in<sup>2</sup>)
- oil flow: 50 - 80 l per minute (13 – 22 GPM)
- controls: manual hand valves

## C Special Attachments please enquire



**Optimal**

# optimal 1700



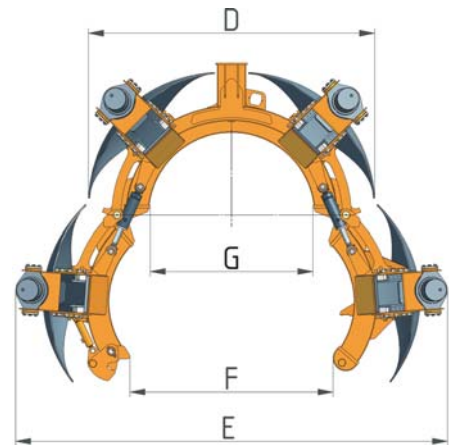
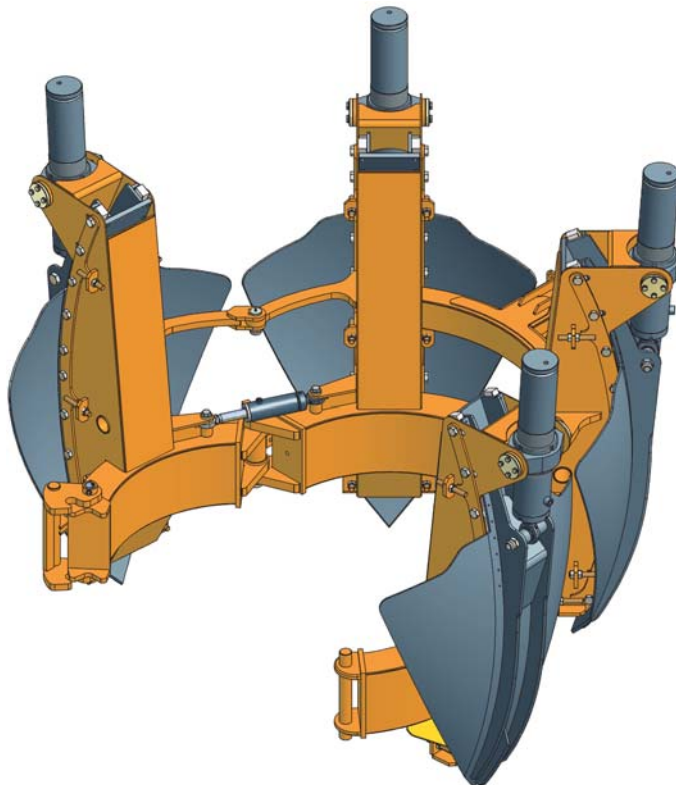
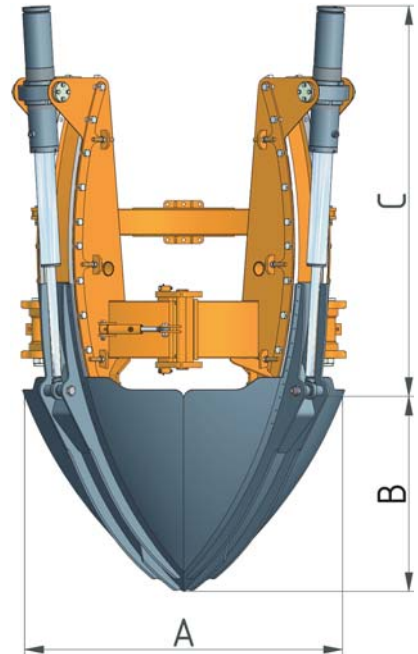
Tree Spade

### Basic Machine:

upper rootball diameter, approx.	A	165 cm	(65")
rootball depth, approx.	B	100 cm	(39")
working height	C	208 cm	(82")
working width, gate closed	D	180 cm	(71")
working width, gate open	E	270 cm	(106")
clearance between open gate	F	110 cm	(43")
inner frame diameter	G	104 cm	(41")
weight, empty		2.400 kg	(5,280 lbs.)
volume of rootball, approx.		0,94 m <sup>3</sup>	(33 FT <sup>3</sup> )
number of blades		4	

### Special Features

- telescopic blade cylinders
- self-lubricating bearings, abrasion-resistant



rotary control switch

Distributor:



Fieldworks Nursery Equipment  
 5191 Dawes Rd  
 Grand Bay AL 36541  
 USA  
 Phone1: (251) 490-9871  
 Phone2: (251) 633-3400  
 Fieldgrown@gmail.com  
 http://optimaltreespades.com

Manufacturer:



Optimal-Vertrieb Opitz GmbH  
 Eysölden M 41  
 91177 Thalmässing  
 Germany  
 Tel. + 49 91 73/79 18 0  
 Fax. + 49 91 73/79 18 49  
 info@opitz-optimal.com  
 www.opitz-optimal.com