



**Optimal**

# optimal 1100



Tree Spade



Requirements for Power Unit:

## **A** Wheel Loader, Skid Steer Loader, Telescopic Loader

1 extra hydraulic circuit, double-acting, for implement attachment at front

- hydraulic working pressure 160 - 200 bar (2,300-2,900 lbs./in<sup>2</sup>)
- oil flow 40-60 l per minute (11-22 GPM)
- tipping load approx. 3.500 kg (6,000 lbs.)
- lift capacity approx. 2.000 kg (3,000 lbs.)
- type of attachment quick-change frame or frame for fixed attachment
- controls: electro-hydraulic valves  
individual spade control  
electronic control element

## **B** Farm Tractor

1 extra hydraulic circuit, double-acting, for implement attachment at rear

- hydraulic working pressure 160 - 200 bar (2,300-2,900 lbs./in<sup>2</sup>)
- oil flow 40-60 l per minute (11-22 GPM)
- engine capacity approx. 80 HP
- type of attachment lift mast HG 1500 with lateral slide
- controls 3 manual hydraulic valves for lift mast rotary control switch for tree spade
- optional PTO-driven hydraulic pump and oil depot

## **C** Special attachments please enquire



**Optimal**

# optimal 1100



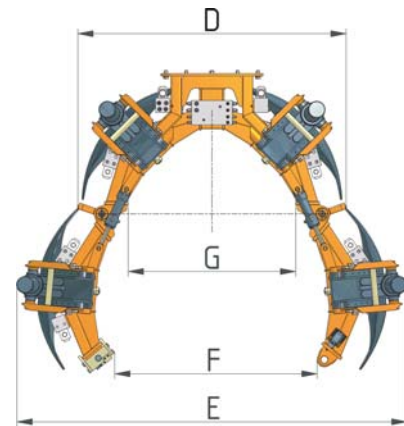
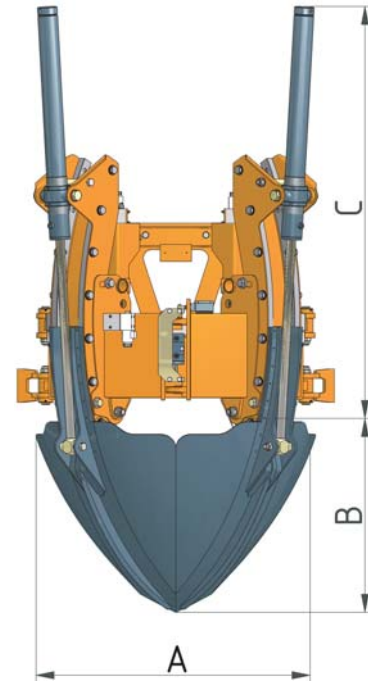
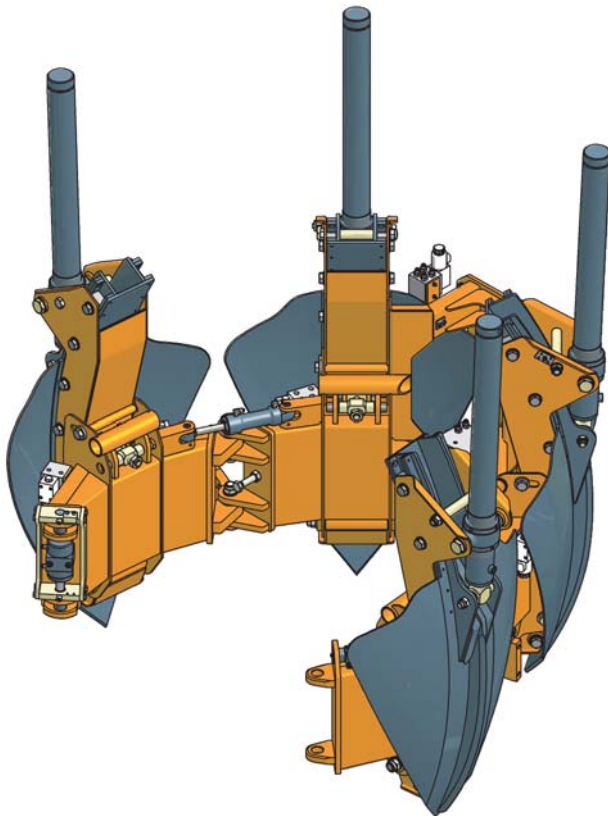
Tree Spade

### Basic Machine:

upper rootball diameter, approx.	A	114 cm	(45")
rootball depth, approx.	B	75 cm	(30")
working height	C	179 cm	(70")
working width, gate closed	D	131 cm	(52")
working width, gate open	E	198 cm	(78")
clearance between open gate	F	100 cm	(37")
inner frame diameter	G	78 cm	(31")
weight, empty		925 kg	(2,035 lbs.)
volume of rootball, approx.		0,34 m <sup>3</sup>	(12 FT <sup>3</sup> )
number of blades		4	

### Special Features

- Individual spade control
- collapsible spade towers for fast and precise spade alignment
- sturdy frame with enlarged cross-section and reinforced hinges
- improved gate lock system stabilizes main frame
- mechanism for infinitely adjustable and precise spade alignment
- self-lubricating bearings, abrasion-resistant



electric control element



Distributor:



Fieldworks Nursery Equipment  
 5191 Dawes Rd  
 Grand Bay AL 36541  
 USA  
 Phone1: (251) 490-9871  
 Phone2: (251) 633-3400  
 Fieldgrown@gmail.com  
<http://optimaltreespades.com>

Manufacturer:



Optimal-Vertrieb Opitz GmbH  
 Eysölden M 41  
 91177 Thalmässing  
 Germany  
 Tel. + 49 91 73/79 18 0  
 Fax. + 49 91 73/79 18 49  
[info@opitz-optimal.com](mailto:info@opitz-optimal.com)  
[www.opitz-optimal.com](http://www.opitz-optimal.com)