



**Optimal**

# optimal 900



Tree Spade



Requirements for Power Unit:

## **A** Wheel Loader, Skid Steer Loader, Telescopic Loader

1 extra hydraulic circuit, double-acting, for implement attachment at front

- hydraulic working pressure 160 - 200 bar (2,300-2,900 lbs./in<sup>2</sup>)
- oil flow 40-60 l per minute (11-16 GPM)
- tipping load approx. 2.500 kg (4,000 lbs.)
- lift capacity approx. 1.500 kg (2,000 lbs.)
- type of attachment quick-change frame or frame for fixed attachment
- controls electro-hydraulic valves, rotary control switch

## **B** Farm Tractor

1 extra hydraulic circuit, double-acting, for implement attachment at rear

- hydraulic working pressure 160 - 200 bar (2,300-2,900 lbs./in<sup>2</sup>)
- oil flow 40-60 l per minute (11-16 GPM)
- engine capacity, approx. 60 HP
- type of attachment lift mast HG 1500 with lateral slide
- controls 3 manual hydraulic valves for lift mast rotary control switch for tree spade
- optional PTO-driven hydraulic pump and oil depot

## **C** Special attachments please enquire



**Optimal**

# optimal 900



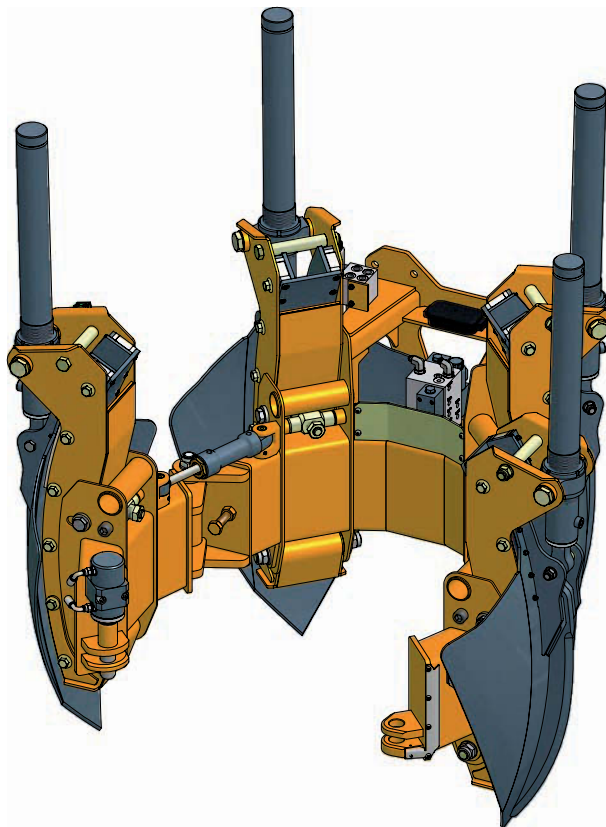
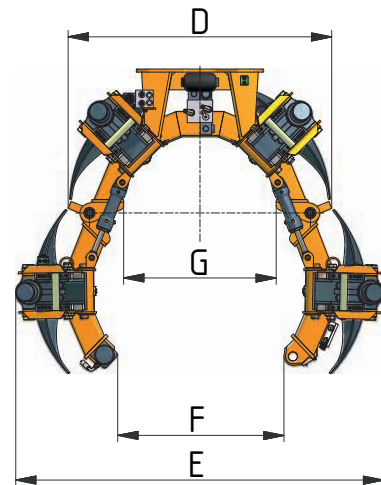
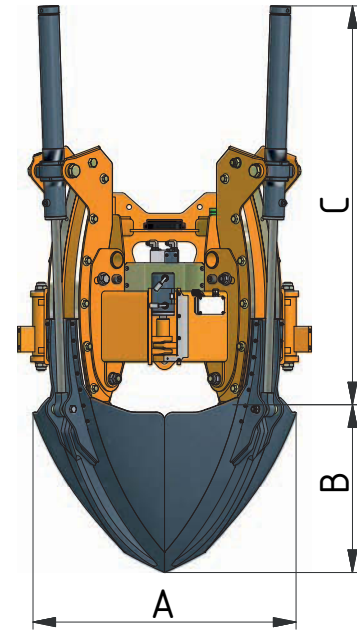
Tree Spade

### Basic Machine:

upper rootball diameter, approx.	A	92 cm	(37")
rootball depth, approx.	B	62 cm	(25")
working height	C	141 cm	(56")
working width, gate closed	D	104 cm	(41")
working width, gate open	E	145 cm	(57")
clearance between open gate	F	66 cm	(26")
inner frame diameter	G	60 cm	(24")
weight, empty		598 kg	(1,316 lbs.)
volume of rootball, approx.		0,19 m <sup>3</sup>	(6 FT <sup>3</sup> )
number of blades		4	

### Special Features

- Good visibility on working area
- collapsible spade towers for fast and precise spade alignment
- self-lubricating bearings, abrasion-resistant
- Locking system with non-contact and maintenance-free sensor



rotary control switch



Distributor:

Prichard's Nursery Equipment, LLC  
 604 West Market Street  
 P.O. Box 549  
 Portland, TN 37148  
 USA  
 Phone: (423) 326-0753  
 Fax: (615) 323-7667  
 sales@optimaltreespades.com  
 www.optimaltreespades.com



Manufacturer:

Optimal-Vertrieb Opitz GmbH  
 Eysölden M 41  
 91177 Thalmässing  
 Germany  
 Tel. + 49 91 73/79 18 0  
 Fax. + 49 91 73/79 18 49  
 info@opitz-optimal.com  
 www.opitz-optimal.com

