



**Optimal**

# optimal 2500



Tree Spade



Requirements for Power Unit:

## A Wheel Loader

- 1 extra hydraulic circuit, double-acting, for implement attachment at front
- hydraulic working pressure 200 - 230 bar (2,900 - 3,340 lbs./in<sup>2</sup>)
- oil flow 100 - 120 l per minute (22 - 34 GPM)
- tipping load approx. 22.000 kg (48,400 lbs.)
- lift capacity approx. 13.000 kg (28,600 lbs.)
- type of attachment quick-change frame or frame for fixed attachment
- controls: electro-hydraulic valves control element

## B Truck

- wheel formula: 6 x 6
- payload: 19.800 kg (43,560 lbs)
- permissible rear axles load, min.: 2 x 13.000 kg (2 x 28,600 lbs.)
- permissible gross weight min.: 33.000 kg (72,600 lbs.)
- length of superstructure, min.: 540 cm (213")
- overhang max.: 80 cm (32")
- wheelbase min.: 390 cm (154")
- PTO drive hydraulic pressure: 200 - 230 bar (2,900 - 3,340 lbs/in<sup>2</sup>)
- oil flow: 100 - 120 l per minute (22 - 34 GPM)
- raised exhaust controls: manual hand valves

## C Special Attachments please inquire



# optimal 2500

Optimal



Tree Spade

### Digging head:

upper rootball diameter, approx.	A	250 cm	(98")
rootball depth, approx	B	160 cm	(63")
working height	C	280 cm	(110")
working width, gate closed	D	291 cm	(115")
working width, gate open	E	325 cm	(128")
clearance between open gate	F	162 cm	(64")
inner frame diameter	G	178 cm	(70")
weight, empty		6.350 kg	(13,970 lbs.)
volume of rootball, approx.		3,5 m <sup>3</sup>	(124 FT <sup>3</sup> )
number of blades		5	

### Special Features

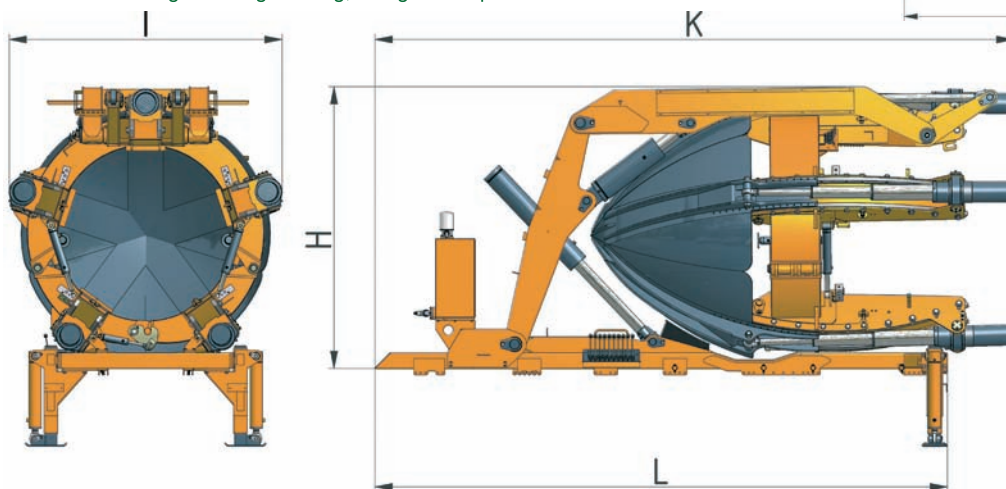
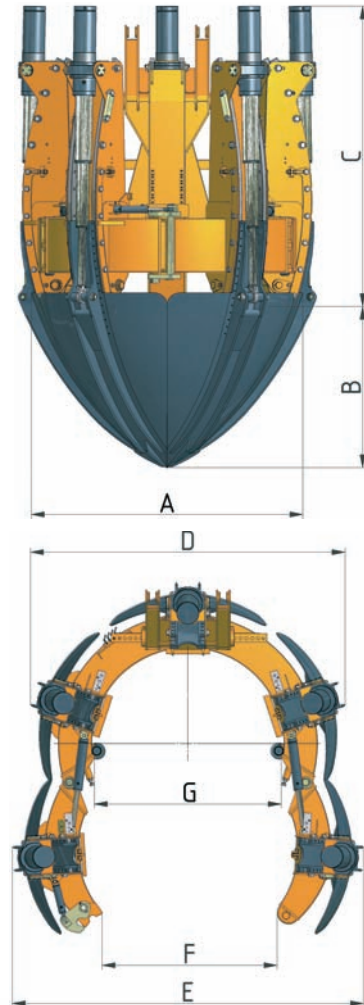
- telescopic blade cylinders, self-lubricating bearings (abrasion-resistant), 4 folding out spade towers

### Superstructure:

transport height	H	285 cm	(111")
transport width	I	277 cm	(109")
min. length of truck platform	L	540 cm	(213")
overall length of superstructure (platform length + overhang)	K	620 cm	(244")
weight, empty		12.800 kg	(20,050 lbs.)

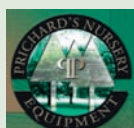
- Base frame (to be bolted to truck chassis),
- 2 articulated lift arms, digging head (as above), rotation on lift arm,
- 2 independently controlled rear stabilizers,
- hydraulic equipment complete with oil tank, hoses, cylinders and manual control valves

The purchaser must ensure that the combination of his truck and the Optimal tree spade is legal for highway use. Optimal-Vertrieb Opitz GmbH reserves the right to make changes in engineering, design and specifications



Distributor:

Prichard's Nursery Equipment, LLC  
 604 West Market Street  
 P.O. Box 549  
 Portland, TN 37148  
 USA  
 Phone: (423)326-0753  
 Fax: (615)323-7667  
 sales@optimaltreespades.com  
 www.optimaltreespades.com



Manufacturer:

Optimal-Vertrieb Opitz GmbH  
 Eysölden M 41  
 91171 Thalmässing  
 Germany  
 Tel. + 49 91 73/79 18 0  
 Fax. + 49 91 73/79 18 49  
 info@opitz-optimal.com  
 www.opitz-optimal.com

