



M A N U A L
ON
TREE SPADE OPTIMAL 650 o/s



Manufacturer:

Optimal-Vertrieb Opitz GmbH
Eysolden M 41
91177 Thalmaessing
Germany

Phone: ++ 49 - 9173 - 79 18 0
Fax: ++ 49 - 9173 - 79 18 49
eMail: info@opitz-optimal.com
web: www.opitz-optimal.com

Distributor:

Fieldworks Nursery Equipment
5191 Dawes Rd
Grand Bay AL 36541
U.S.A.

















Phone: (251) 490-9871
Email: Fieldgrown@gmail.com
Email: Sales@optimaltreespades.com
Web: www.OptimalTreeSpades.com

CONTENTS

	Page
Safety Warnings	2
1. Operating Specifications	3
2. Assembly	4
3. Putting into Service	5
4. Operating Instructions	6 - 8
5. Care and Maintenance	9 - 10
6. Appendix	
6.1 Attachment Points	11
6.2 Installation of electro-hydraulic controls	12 - 13
6.3. Lubrication Chart	14
7. Spare Parts List with Drawings	15 - 34
8. Trouble Shooting	35 - 37
9. Warranty	38



WARNING Operator must have read and understood instructions before running the tree spade. Untrained operators can cause injury or death.

-  **Safety Alert Symbol:** This symbol is used for important safety messages. When you see this symbol, follow the message to avoid personal injury or death.
-  Never use tree spade without instructions. See machine signs (decals), and Operation & Maintenance Manual of tree spade. The operation instructions for power unit must be followed.
-  Before starting operations, bolts and hydraulic fittings must be checked to make sure they are free of damage and well tightened. Defective or loose hose pipes might cause serious injuries and therefore must be replaced immediately.
-  The operator is responsible for ensuring that no person is near the tree spade when in operation.
-  No one should be underneath the raised tree spade or near shearing and pinching areas, or near any hydraulic components. We are advising the user that due to their functional positions and movements the danger areas cannot be furnished with protective guards.
-  Keep bystanders well away from work area.
-  Do not perform any manual work on the tree or shrub when it is inside the tree spade. In particular, do not check the position of the tree or shrub by hand or feet when it is inside the tree spade. Do not tie the tree or shrub when it is near or inside the machine.
-  When sight is limited, an assistant should direct the operator by hand signals.
-  When driving, the tree spade should be in the lowest possible position. When moving and working on public roads, the traffic rules and regulations must be adhered to.
-  Never leave power unit with engine running or with lift arms up.
-  To park, engage parking brake and put tree spade flat on the ground.
-  When doing cleaning, maintenance or repair work, lower the tree spade to the ground and stop the engine of the power unit.
-  Never modify equipment. Use only original spare parts approved by manufacturer for this particular model tree spade.
-  When digging, it might happen that a stone gets caught between two blades and the blades get bent. This causes tremendous tension in the steel blade. Do not try to release the stone by means of a crow bar or other tools. Place the digging head again into the planting hole and retract the blades. Thereby the stone will come loose and the blades which got a high degree of bending strength will regain their former shape. After that the root ball can be dug again.
-  The operator must be sure that the ground he is going to dig is free from any underground installations such as cables, pipes or any other utilities or dangerous matter. Damaging such underground installations or matter is dangerous and might result in serious injury or death.
-  Safety stickers have been placed on the tree spade to warn the user of possible dangers. In case a safety sticker has been worn or destroyed, it must be replaced immediately. Safety stickers can be ordered with your distributor or the manufacturer. For ordering please use the part numbers listed on page 2A. Fix the stickers on the locations marked on page 2A.

1. Tower:



Part N° 711800001



KEEP AWAY
FROM SWING AREA
WHEN IN OPERATION

Part N° 711800008



NO SE ACERQUE A LA
ZONA DE MOVIMIENTO
CUANDO ESTÁ
EN FUNCIONAMIENTO

Part N° 711800015

5. Gate Cylinder:



Part N° 711800007

2. Tower:



Part N° 711800001



AVOID INJURY
Stay Clear!
This structure
swings outward

Part N° 711800012



EVÍTESE LA HERIDA
¡No se acerque!
Está estructura
mueve hacia afuera

Part N° 711800020



Part N° 711800018

7. Frame:



Part N° 711800004



Part N° 711800005

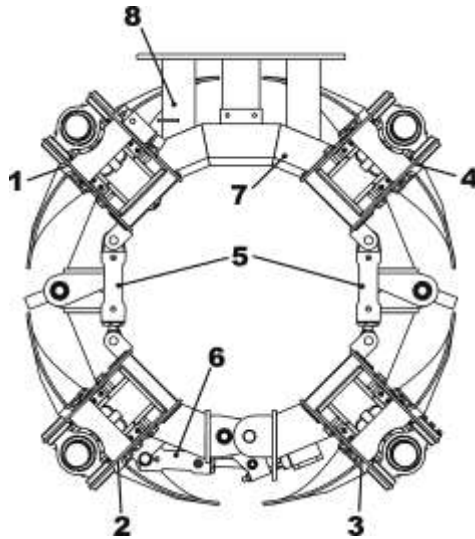


Part N° 711800006

8. Oil - Manifold:



Part N° 711800010



6. Lock Cylinder:



Part N° 711800019

4. Tower:



Part N° 711800001



AVOID INJURY
Stay Clear
Of
Elevated Unit
And Tree Spade

Part N° 711800009



EVÍTESE LA HERIDA
No se acerque
ni la unidad elevada
ni la transplantadora

Part N° 711800016

5. Gate Cylinder:



Part N° 711800007

3. Tower:



Part N° 711800001



MOVING MACHINERY
KEEP HANDS AND
FEET CLEAR

Part N° 711800014



MAQUINARIA EN MOVIMIENTO
MANTENGA MANOS Y PIES
ALEJADOS

Part N° 711800017



WATCH YOUR
HANDS AND
FINGERS

Part N° 711800013

1. Operating Specifications

Description	Tree Spade OPTIMAL 650 o/s		
serial number	650		
capacity	upper root ball diameter	65 cm	(26")
	root ball depth	45 cm	(18")
dimensions of basic machine	height	130 cm	(51")
	width, frame closed	112 cm	(44")
	width, frame open	143 cm	(56")
	clearance between open gate	62 cm	(24")
weight	basic machine, empty	425 kg	(935 lbs.)
rated type of attachment	attachment by means of back plate to loader or excavator		
	minimum lift capacity	1000 kg	(2200 lbs.)
	the power unit must be equipped with an auxiliary double-acting hydraulic circuit for implements:		
	working pressure	140 - 180 bar	(2000-2560 lbs/in ²)
	oil flow	40 l/min.	(11 GPM)
controls	electro-hydraulic valves, double-acting, for three or four functions actuated by a rotary switch or joy stick		
field of application	tree nurseries; gardens; civic greens		

2. Assembly



IMPORTANT:

When doing assembly work, heed relevant instructions of manufacturers of power unit!

2.1 Back Plate

The tree spade is attached to the power unit by means of a back plate. The back plate is procured from the manufacturer of the power unit, or it might be fabricated according to the drawings and instructions of the manufacturer of the power unit.

The back plate is to be furnished with borings as per drawing page 11. At these attachment points the tree spade is bolted tightly to the back plate.

2.2 Installation of Electro-Hydraulic Control

2.2.1 Install rotary switch or joy stick at suitable and dry location in the power unit, e.g. the rotary switch on the instrument panel, or the joy stick at the hydraulic lever.

2.2.2 Install 5-pole electric socket next to hydraulic disconnect of auxiliary hydraulic circuit at the power unit.

2.2.3 The blue wire should be connected to 12 VDC, the brown wire to the ground. It is best if the blue wire is connected to a power source that is only available when the ignition switch is on, to avoid inadvertently leaving power on the tree spade.

3. Putting into Service

The tree spade with the back plate is attached and secured to the power unit.

Both the hydraulic connecting hoses of the tree spade are to be connected to the hydraulic disconnect of the auxiliary hydraulic circuit of the power unit.

The plug of the electric control cable is to be plugged into the socket on the power unit (see section 2.2.2).

Make sure that hydraulic working pressure and oil flow of power unit meets the requirements as laid down in the operating specifications on page 3.



IMPORTANT:

The hydraulic disconnect of the tree spade and the power unit must match and must be connected properly. Faulty connections are extremely dangerous.

After the first working day, the screws of the tension blocks must be checked and re-tightened, if necessary.

When operating the power unit, follow the instructions of the operating manual of the power unit !

4. Operating Instructions



IMPORTANT:

The Operator must be a reliable person. Before commencing production work, he or she must study these operating instructions thoroughly.

The following safety instructions must be observed:

It is the operator's prime duty to ensure that any persons must stay clear off the danger area. Special care must be taken that no one is ever under the raised tree spade, or near the potential shearing and pinching areas, or near the opened gate, near the spades or near any hydraulic components.

Do not perform any manual work at the tree or shrub when it is inside the tree spade. In particular, do not check the position of the tree or shrub by hand or feet when it is inside the tree spade. Do not bind the tree or shrub when it is near or inside the machine.

When sight is limited, an assistant should direct the operator by hand signals.

Before starting to work with the tree spade, make sure the hydraulic fittings and the bolts are properly tightened and are free from any defects.

4.1 The Controls

The electro-hydraulic controls are to be operated as follows:

<u>Rotary Switch</u>	<u>Joystick (optional)</u>	<u>Control Valve (actuated by Manual Lever or Pedal)</u>	<u>Work Movement</u>
function 1:	T3	gate lock	unlock / lock
function 2:	T5	gate	open / close
function 3:	T4	blades	up / down
(function 4:	T6	stabilizers	up / down)

The function required is preset with the rotary switch and then activated by the manual control valve of the auxiliary hydraulic circuit of the power unit.

With some loaders this valve might be activated by a pedal.

4.2 **Operation**

- 4.2.1 First lower the tree spade with the lift arms of the power unit until the blade points are about 20 cm (8") above the ground.
- 4.2.2 Preset function 1 "gate lock" with rotary switch and activate "unlock" with control valve. Then preset function 2 "gate" and activate "open" with control valve.
- 4.2.3 With the gate open drive towards the tree. When the tree is positioned in the center of the main frame, preset function 2 "gate" and activate "close". Then preset function 1 "gate lock" and activate "lock".

Locking the frame before starting the digging operation is of utmost importance and must never be omitted !

If the gate is not locked properly, the frame may be bent !

In order to prevent the spades from digging with the gate not being properly locked, the gate lock is furnished with a safety switch. If the spades do not move although the operator followed above instructions, this malfunction is probably caused by a branch or some other object obstructing the movement of the gate lock latch. Remove the obstruction and try again.

Do not slacken the socket head screw (Item 39, page 21) on the mounting plate or alter the position of the safety switch.

After having locked the gate, lower the tree spade to the ground and get it into level position. Again check if the tree is positioned in the center of the frame and correct, if necessary.

- 4.2.4 If the power unit is furnished with rear stabilizers, extend stabilizers prior to digging.
- 4.2.5 Preset function 3 "blades" and activate "down" with control valve. Now the spade cylinders force the blades into the ground. Because all 4 spade cylinders are activated by one valve at the same time, the blades which encounter the least resistance at any given time will penetrate into the soil first.

When the frame begins to lift when digging, retract blades and then continue digging. Do not rock the tree spade forward and backward with the tilting cylinder of the power unit when the blades are in the ground!

Once all blades have been completely pressed into the soil, the tree spade with the planting material is lifted out of the ground by means of the lift arms of the power unit.

Before travelling, rear stabilizers must be retracted !

4.3



IMPORTANT:

When moving and working on public roads, the traffic rules and regulations must be adhered to.

When driving, the tree spade should be in the lowest possible position.

When digging, it might happen that a stone gets caught between two blades and the blades get bent. This causes tremendous tension in the steel blade. Do not try to release the stone by means of a crow bar or other tools.

Place the digging head again into the planting hole and retract the blades. Thereby the stone will come loose and the blades which got a high degree of bending strength will regain their former shape. After that the root ball can be dug again.

4.4 **Releasing the Tree**

When transplanting, or when placing the tree in a basket, lower the tree spade by means of the lift arms, retract spades (function 3 "blades" , control valve "up") then unlock gate (function 1 "gate lock", control valve "unlock") and open gate (function 2 "gate", control valve "open").

- 4.5 When the work has been finished, set the rotary switch in off-position (function 0). If the tree spade is controlled by means of a joy stick, the hydraulics are off when no button is being pressed.

5. Care and Maintenance

5.1 Blade Guides

Thanks to the plastic lining the spade guides do not require special care. Once the plastic lining has been worn, to the point where the heads of the countersunk screws are even with the surface of the plastic linings, they must be replaced to prevent the screws from damaging the blades.



IMPORTANT:

After the first digging day the screws (Item 9 + 15, page 18) of the tension block have to be tightened with a torque of 300 Nm (ft.lb.222).

Make sure tension bolts at bottom of guides are always tight !

Keep the guides cleaned.

5.2 Lubrication

Once per week lubricate all greasing points with lithium-based grease, as per lubrication chart, Page 14

5.3 Hydraulic Oil Supply

Check level of hydraulic oil regularly. For checking, retract all blades "up" and lower the tree spade to the ground. If in that position the oil level is below the mark of the sight glass, oil must be refilled.

5.4 Hydraulic Hoses

All hydraulic hoses must be inspected at least once per year. Damaged hoses must be replaced. At least after 6 years all hoses must be replaced.

5.5 Cylinders

In case the tree spade is not getting used for two weeks, all piston rods of the hydraulic cylinders must be cleaned and covered with a preserving oil film.

5.6



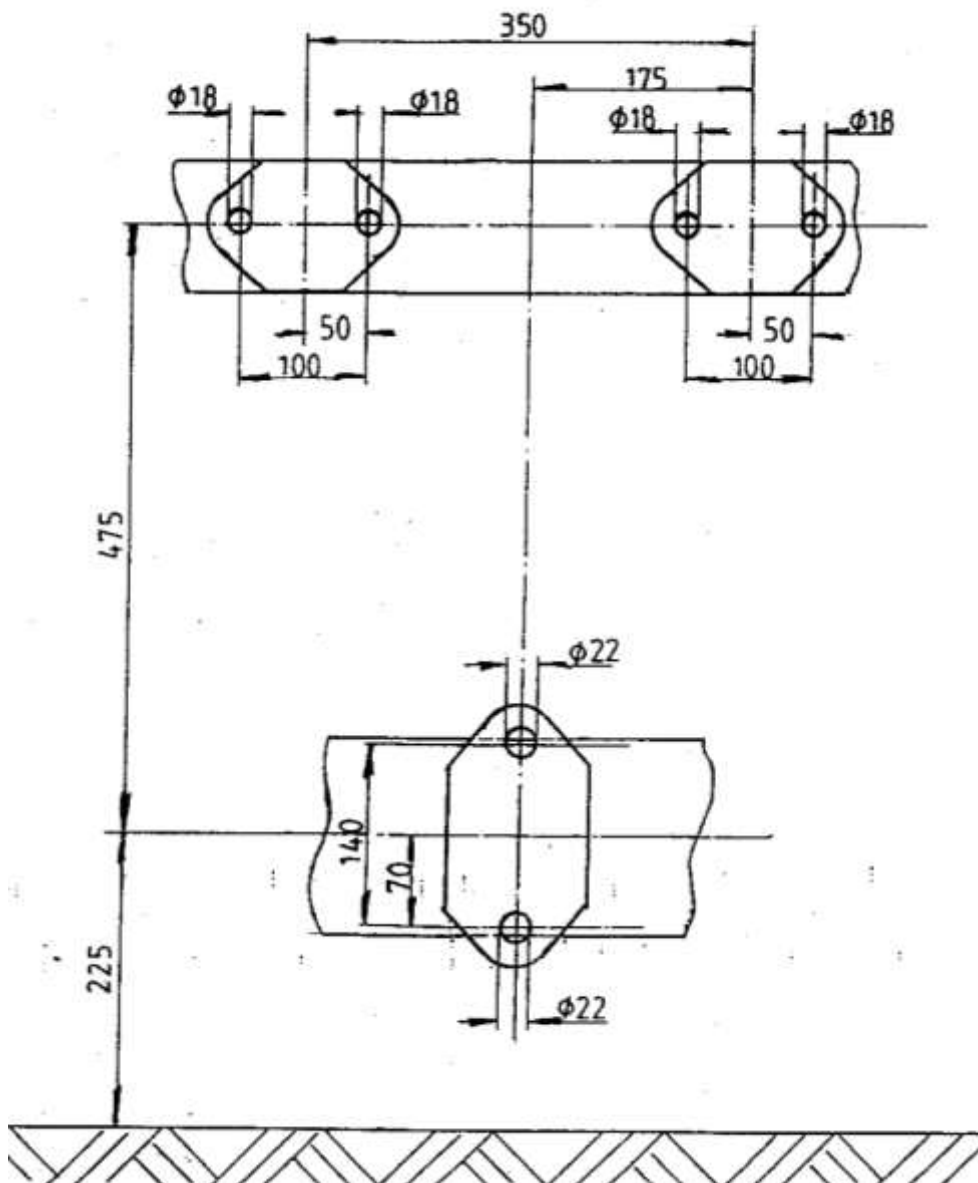
IMPORTANT:


Tree spade must be lowered to the ground and switched off when doing cleaning, maintenance or repair work !

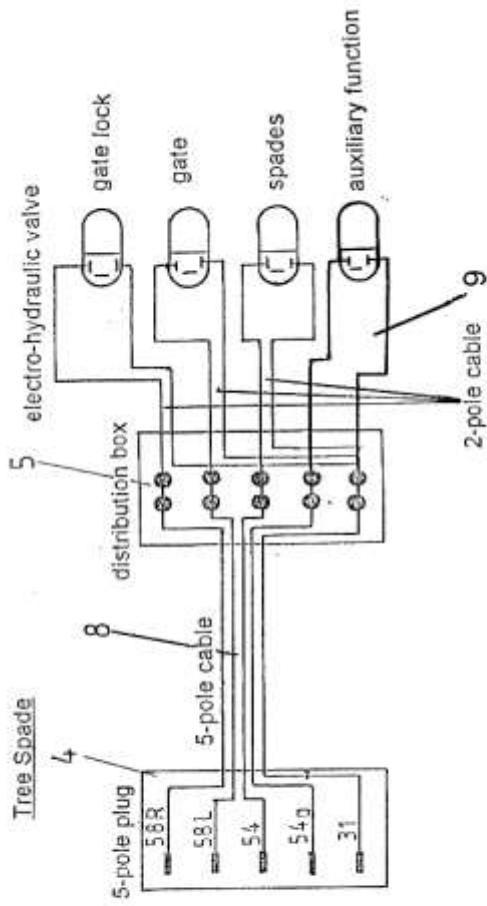
Use original spare parts only !

The tree Spade must be inspected by an expert on operational safety once per year !

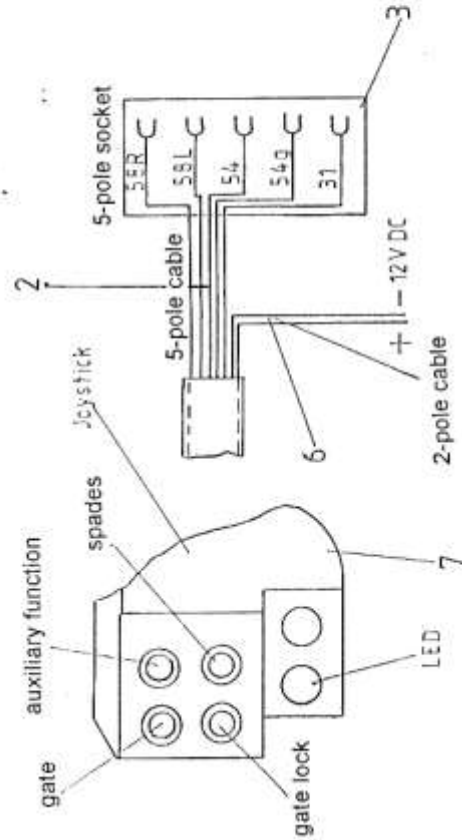
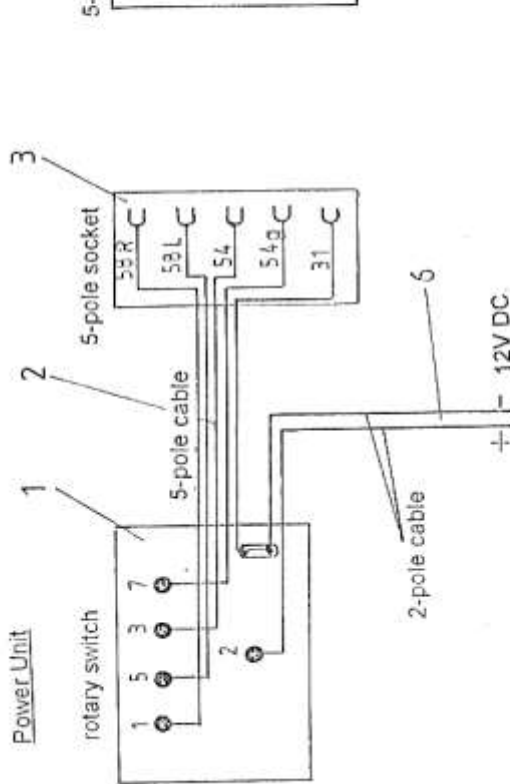
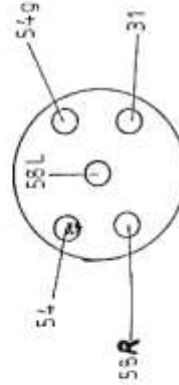
Do not alter the design of the tree spade without having consulted the manufacturer !




 Optimal OPTIMAL-Vertrieb Opitz GmbH Eysölden M 41 D-91177 Thalmassing	OPTIMAL 650 o/s
	Attachment Points



- 58R – blue
- 58L – yellow/green
- 54 – black (next to brown)
- 54g – black
- 31 – brown

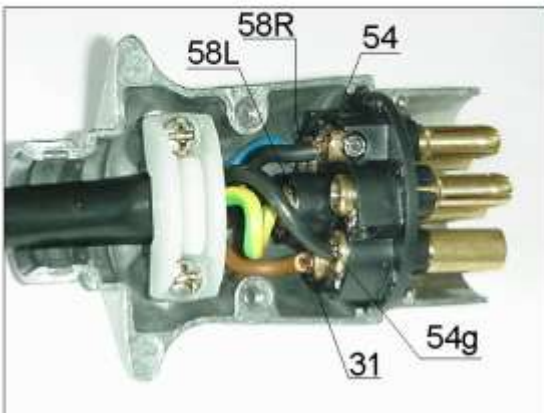


	OPTIMAL-Vertrieb Opitz GmbH Eysölden M 41 D-91177 Thalmassing
	OPTIMAL 650 o/s Electrical System

terminal box



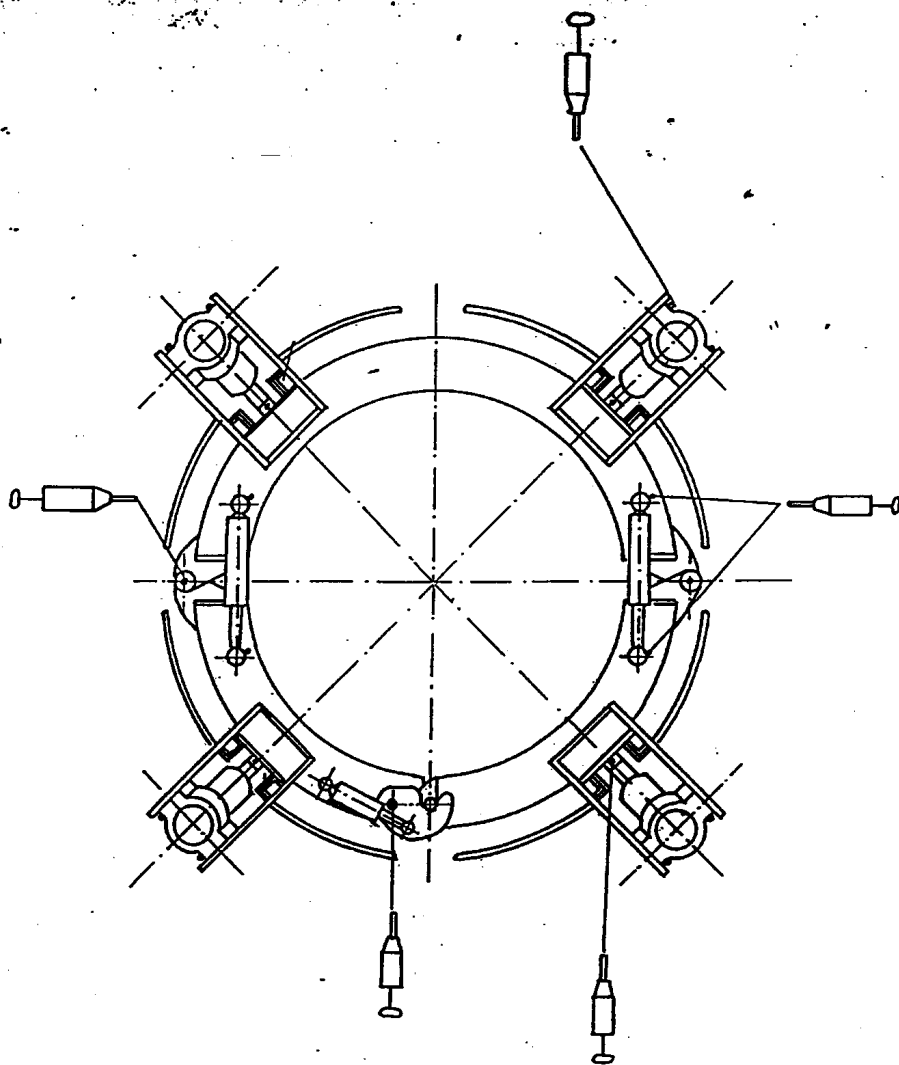
- | | |
|---|---------------------------------|
| 1) ground | 5) gate - yellow/green (58L) |
| 2) ground - brown (31) | 6) stabiliz. - black (54g) |
| 3) gate lock - blue (58R) | 7) blue of safety switch (14) - |
| 4) spades - brown of safety switch (13) | black (next to brown) (54) |





7-pole plug



7-pole socket



 - lubricate once per week

 Optimal OPTIMAL-Vertrieb Opitz GmbH Eysölden M 41 D-91177 Thalmässing	OPTIMAL 650 o/s
	Lubrication chart



S P A R E P A R T S
O N
TREE SPADE OPTIMAL 650 o/s



Manufacturer:

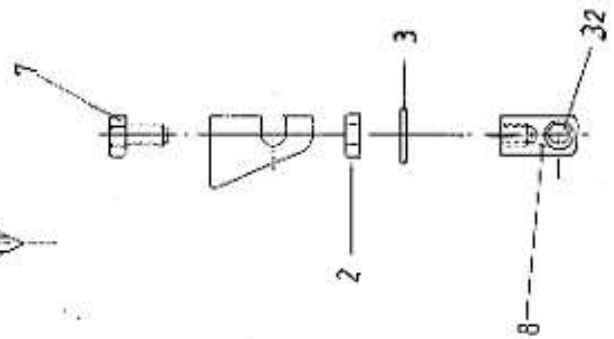
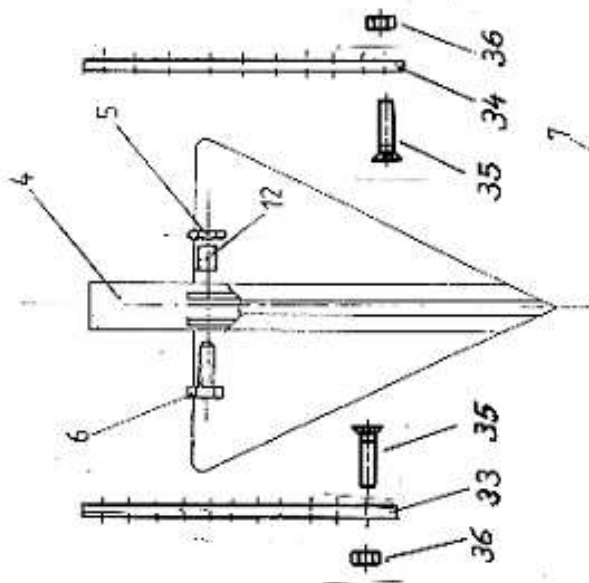
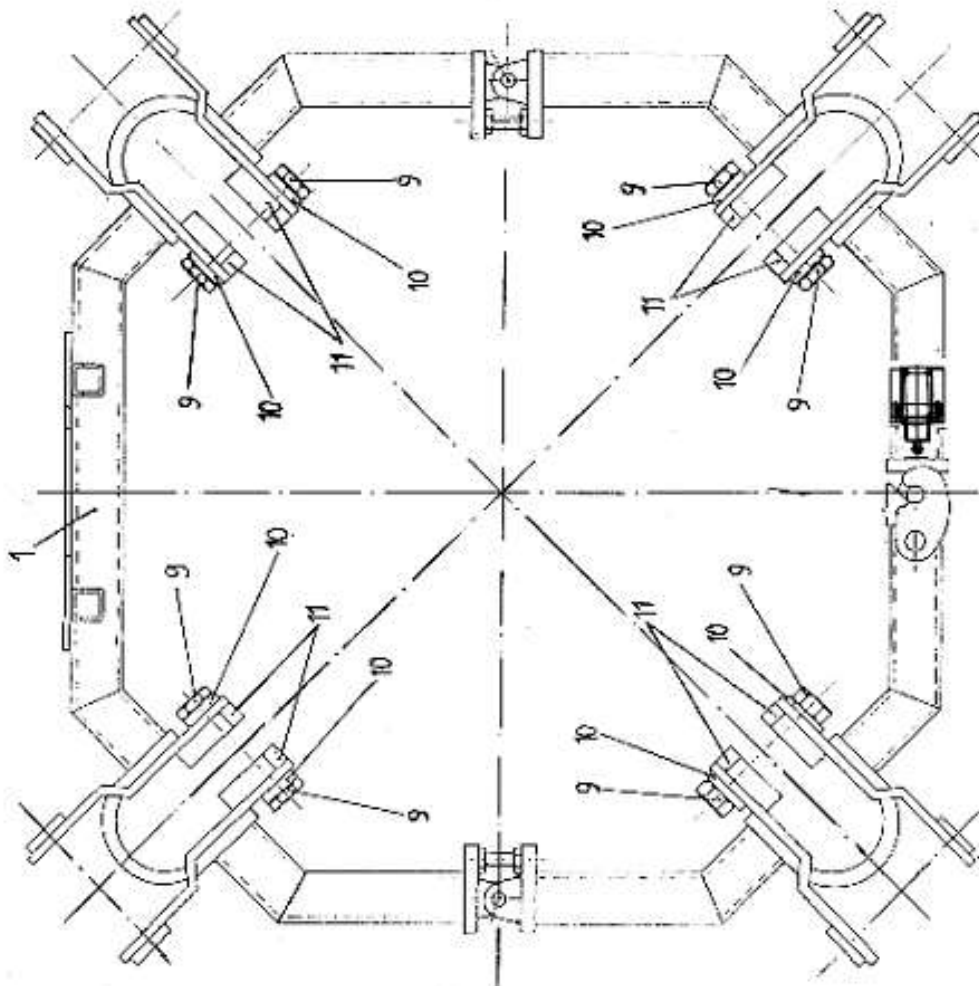
Optimal-Vertrieb Opitz GmbH
Eysolden M 41
91177 Thalmaessing
Germany


Phone: ++ 49 - 9173 - 79 18 0
Fax: ++ 49 - 9173 - 79 18 49
eMail: info@opitz-optimal.com
web: www.opitz-optimal.com

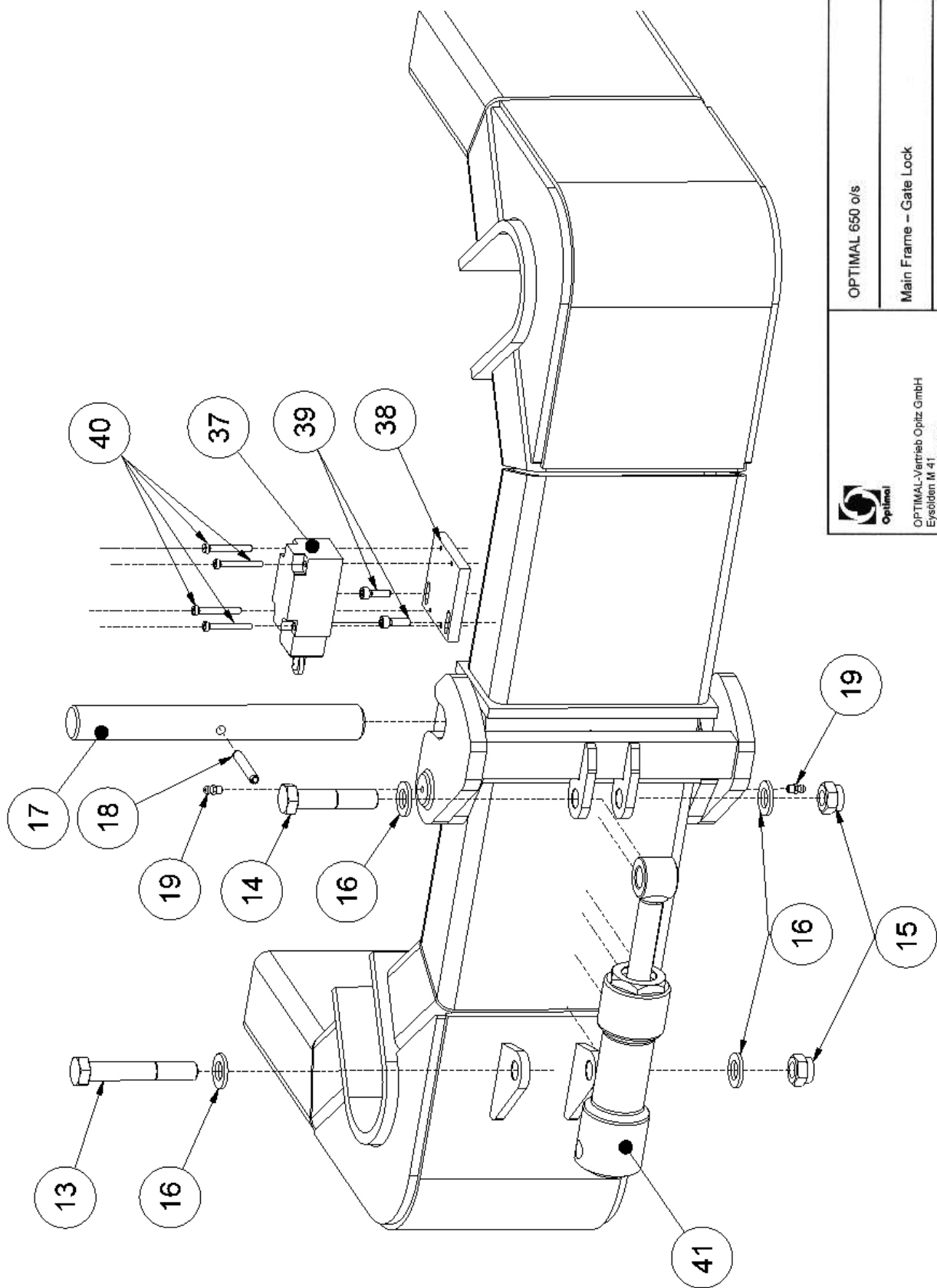
Distributor:


Fieldworks Nursery Equipment
5191 Dawes Rd
Grand Bay AL 36541
U.S.A.

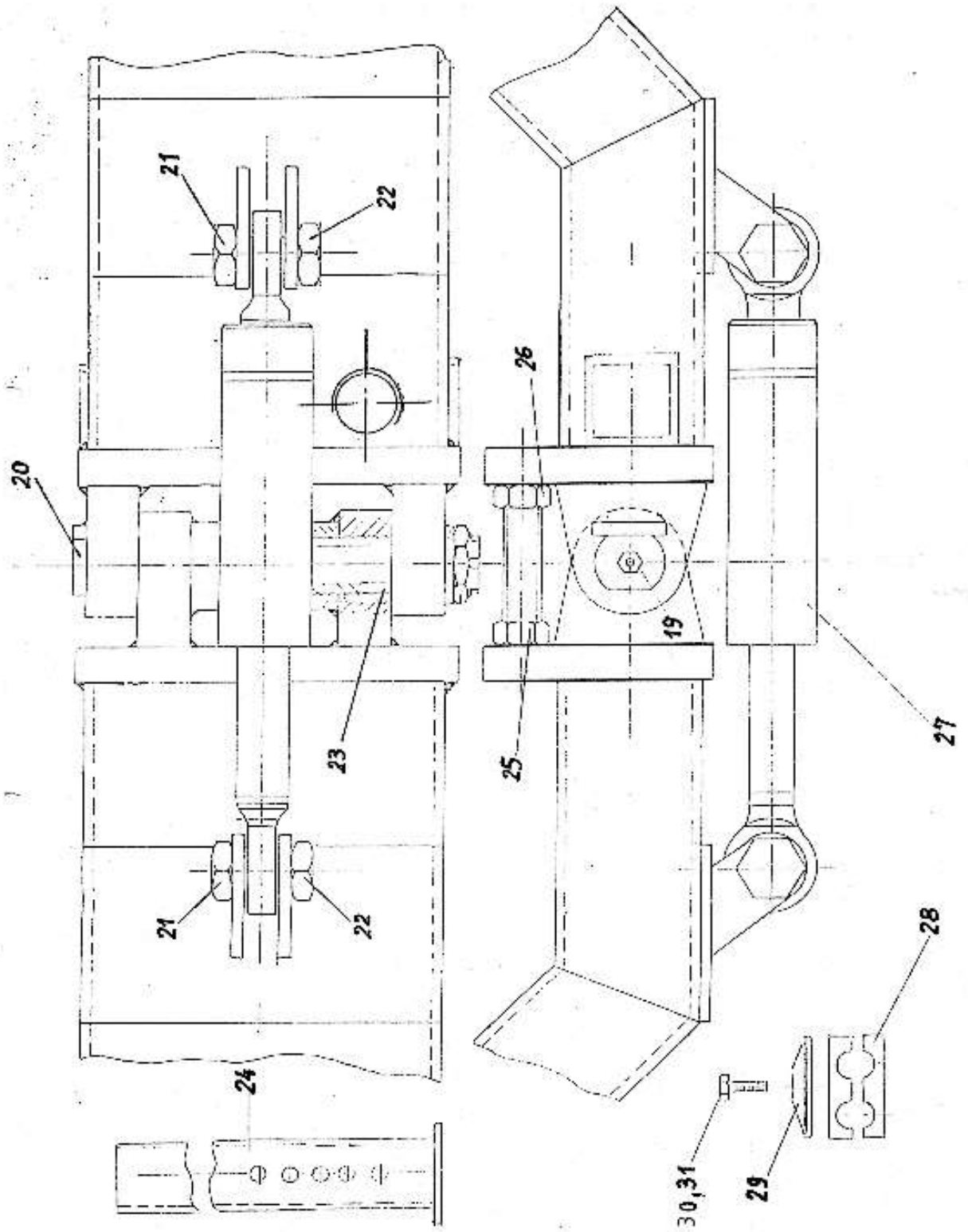
Phone: (251) 490-9871
Email: Fieldgrown@gmail.com
Email: Sales@optimaltreespades.com
Web: www.OptimalTreeSpades.com



 OPTIMAL-Vertrieb Optiz GmbH Eysölden M 41 D-91177 Thalmassing	OPTIMAL 650 o/s Main Frame
---	-------------------------------



 OPTIMAL-Vertrieb Opitz GmbH Eysolden M 41 D-91177 Thalmassing	OPTIMAL 650 o/s
	Main Frame - Gate Lock



TREE SPADE OPTIMAL 650 o/s - SPARE PARTS

MAIN FRAME AND SPADES

<u>Item</u>	<u>Quantity</u>	<u>Description</u>	<u>Part Number</u>
1	1	main frame	31865002
2	8	nut M 16	502160SW22
3	8	washer M 16, DIN 125	5069161
4	4	spades	31665300
5	4	nut M 16, DIN 985	502160985
6	4	screw M 16 x 55, DIN 931	50116055931
7	8	screw M 16 x 80, DIN 913	50116080913
8	8	tension block	309850371
9	32	screw M 16 x 30, DIN 933	501160309330
10	32	tapered washer 38 x 17 x 4, DIN 6769	504166769
11	8	guide	306650231
12	4	bush	31111029
13	1	bolt M 16 x 100, DIN 931	50116100931
14	1	bolt M 16 x 80, DIN 931	50116080931
15	2	nut M 16, DIN 985	502160985
16	4	washer A17, DIN 125	506916
17	1	lock pin	307650120
18	1	clamping sleeve 8 x 50, DIN 1481	506708501481

TREE SPADE OPTIMAL 650 o/s - SPARE PARTS

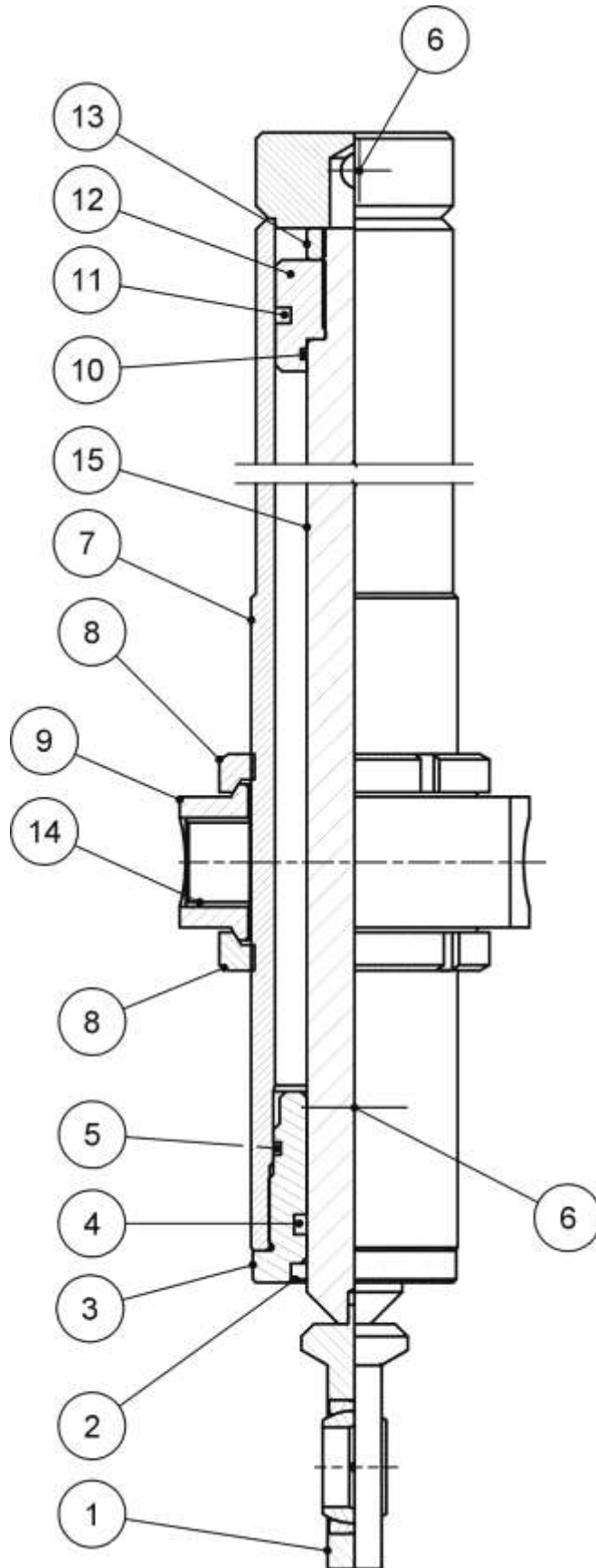
MAIN FRAME AND SPADES


<u>Item</u>	<u>Quantity</u>	<u>Description</u>	<u>Part Number</u>
19	20	grease nipple M6 H1	59908H1M6
20	2	hinge pin 30 x 200	50830200
21	4	shoulder bolt M16 / ø20	3140650010
22	4	nut M 16, DIN 985	502160985
23	4	hinge bush 30 x 36 x 70	5083036070
24	2	adjustable foot	39965800
25	2	screw M 16 x 80, DIN 933	501160809330
26	2	nut M 16, DIN 934	5021609340
27	2	gate cylinder	3010200040
28	1	double pipe clamp AS-11/12PP	510112
29	15	cover	5100DP-B1
30	11	socket head screw M 6 x 45	50106045912
31	4	socket head screw M 6 x 40	50106040912
32	8	socket head screw M 16 x 40	50116040912
33	8	plastic guide	3066502311
34	8	plastic guide	3066502312
35	96	screw M 6 x 25	501060257991
36	96	nut M 6 DIN 985	502060985

TREE SPADE OPTIMAL 650 o/s - SPARE PARTS

MAIN FRAME AND SPADES

<u>Item</u>	<u>Quantity</u>	<u>Description</u>	<u>Part Number</u>
37	1	safety switch	599043782
38	1	mounting plate	3981400010
39	2	socket head screw M 6 x 20	50106020912
40	4	socket head screw M 5 x 40	50105040084
41	1	gate lock cylinder	3010300040

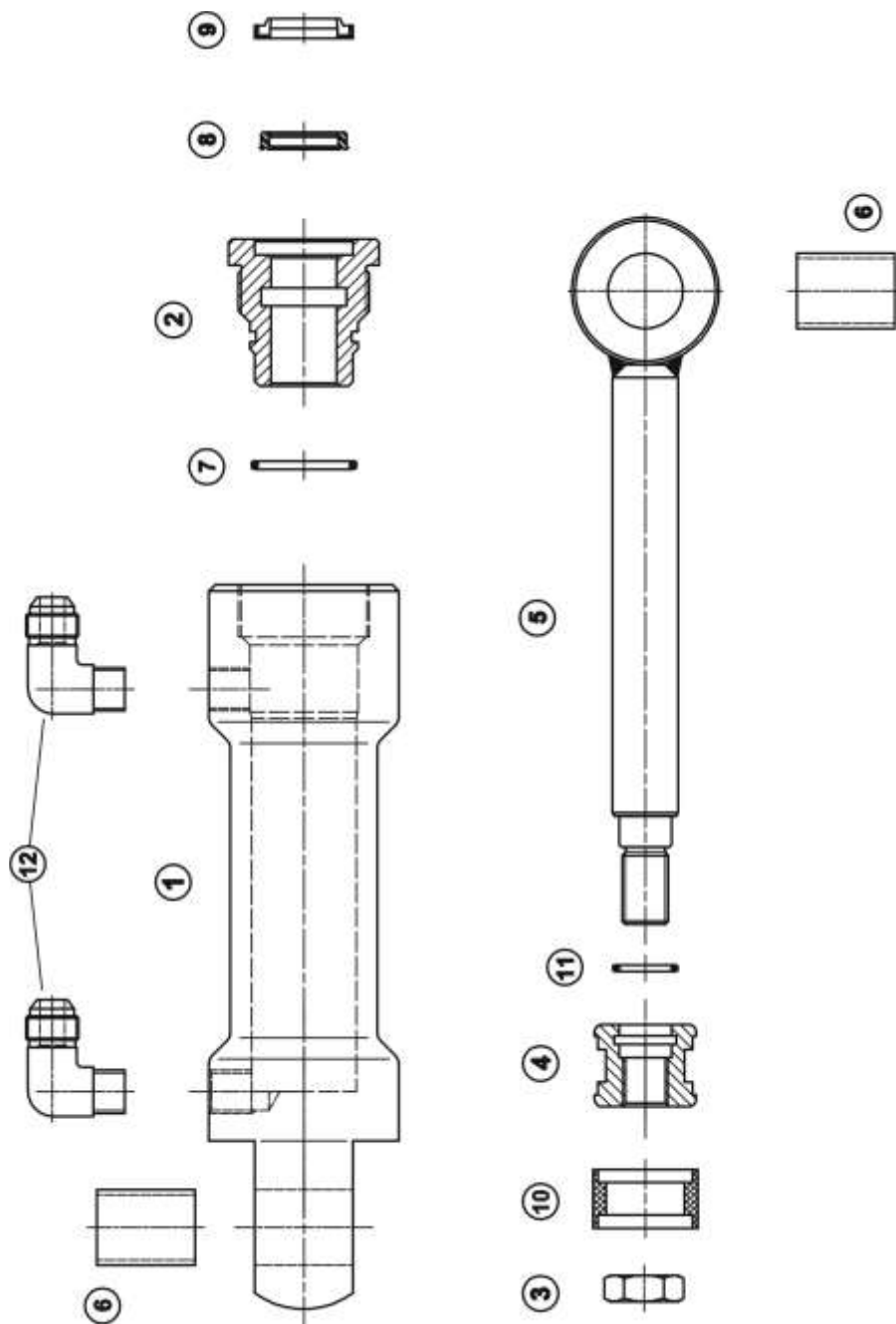


OPTIMAL 650 o/s	Spade Cylinder
 OPTIMAL-Vertrieb Optiz GmbH Eyssolden M 41 D-81177 Thalmässing	

TREE SPADE OPTIMAL 650 o/s - SPARE PARTS

SPADE CYLINDER

<u>Item</u>	<u>Quantity</u>	<u>Description</u>	<u>Part Number</u>
1	1	eye joint GK 25DO	5070250
2	1	oil scraper P 7-30	5160330
3	1	guide bush	3115030360
4	1	rod seal S8-30	5160230
5	1	O-ring 45.2 x 3, 88 HBR	517452030
6	2	elbow	515070510813
7	1	cylinder pipe	3025030053
8	2	slotted nut KM 13	50313
9	1	cylinder suspension	3090650010
10		O-ring 30 x 2.5	5170300025
11	1	piston seal OMK50	50160150
12	1	piston	3125030235
13	1	nut M 20 x 1.5, DIN 936	502201509360
14	2	bush	544252820
15	1	piston rod	3035030150
16	1	seal kit	516005030601



OPTIMAL-Vertrieb Opitz GmbH
Eysölden M 41
D-91177 Thalmassing

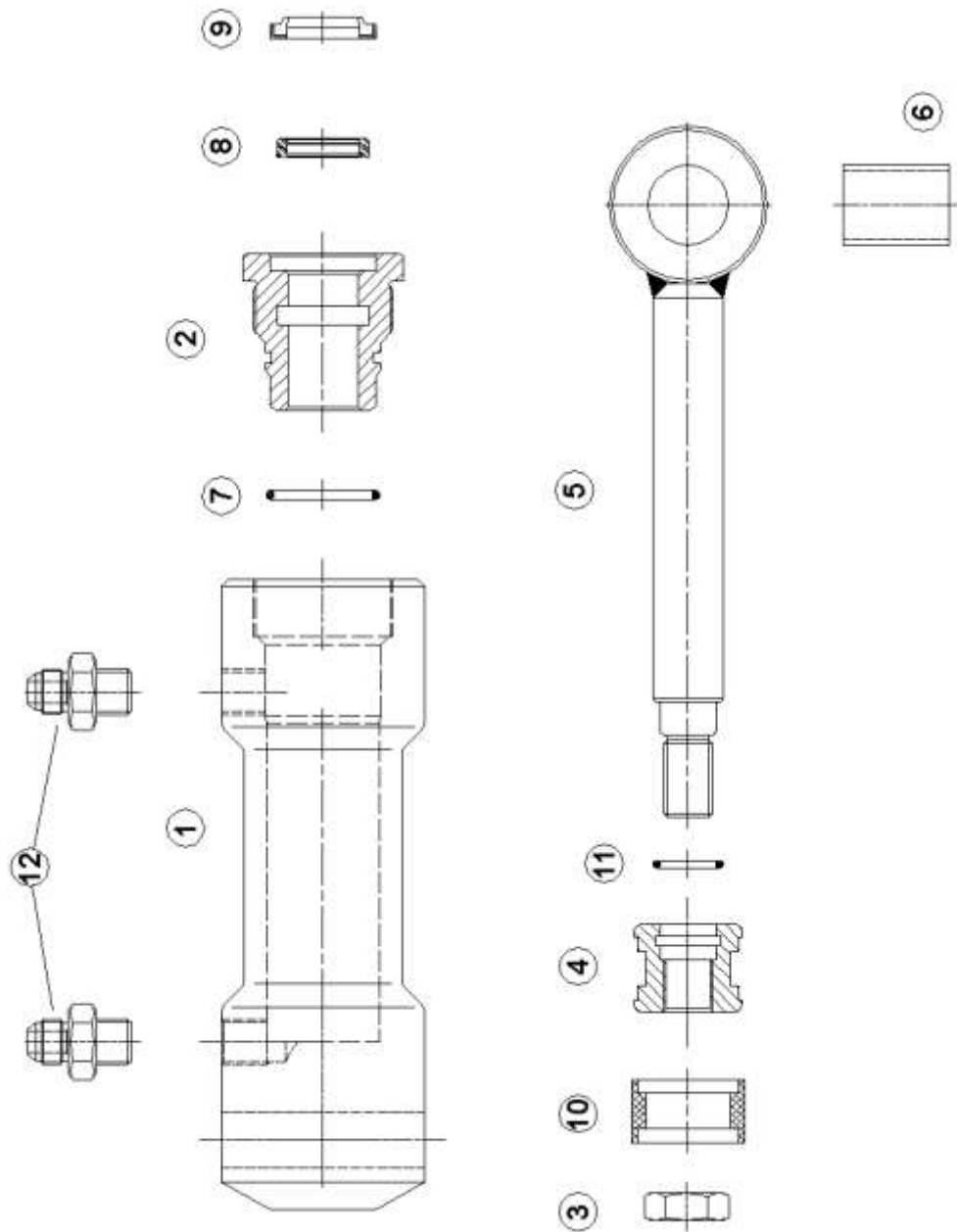
OPTIMAL 650 o/s

Gate Cylinder

TREE SPADE OPTIMAL 650 o/s - SPARE PARTS

Gate Cylinder

<u>Item</u>	<u>Quantity</u>	<u>Description</u>	<u>Part Number</u>
1	1	cylinder body	3020320020
2	1	guide bush	3113220010
3	1	nut M 14 x 1,5 DIN 936	50214150936
4	1	piston	3123220010
5	1	piston rod Ø 20 x 171	3030200020
6	2	bush 2023-30	544202330
7	1	O-ring 28 x 2,5 90 Shore	5170280025
8	1	rod seal T7 20 x 26	5160220
9	1	scraper W4 – 20 x 30	5160320
10	1	piston seal TPM 32 x 24	5160132
11	1	O-ring 16 x 2 90 Shore	5170160020
12	2	union	515021000813
	1	seal kit	516003220601



OPTIMAL-Vertrieb Opitz GmbH
Eysölden M 41
D-91177 Thalmässing

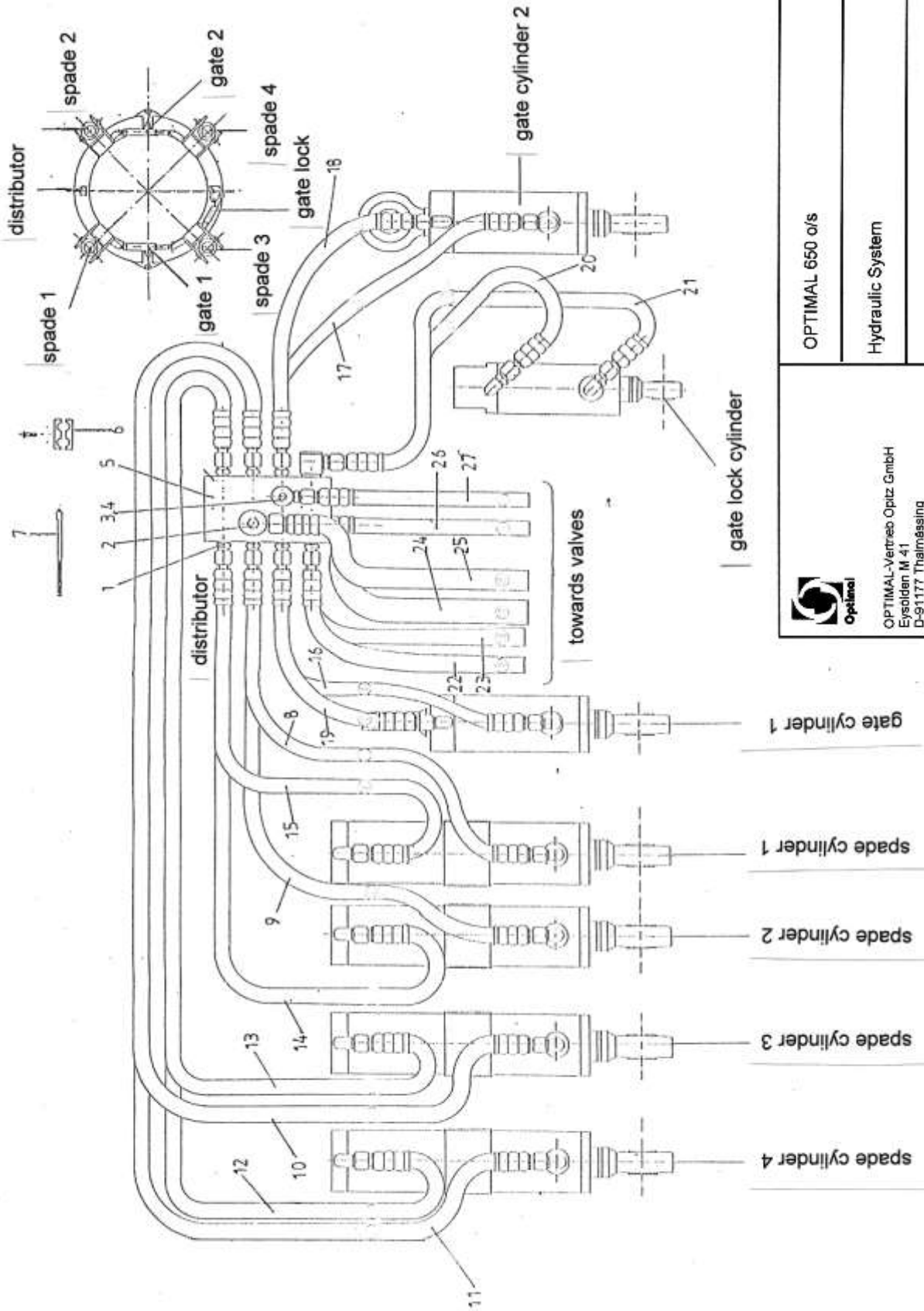
OPTIMAL 650 o/s


Gate lock Cylinder

TREE SPADE OPTIMAL 650 o/s - SPARE PARTS

GATE LOCK CYLINDER

<u>Item</u>	<u>Quantity</u>	<u>Description</u>	<u>Part Number</u>
1	1	cylinder body	3020320010
2	1	guide bush	3113220010
3	1	nut M 14 x 1,5 DIN 936	50214150936
4	1	piston	3123220010
5	1	piston rod ø 20 x 152,5	3030200010
6	2	bush 1618-15	544161815
7	1	o-ring 28 x 2,5, 90 shore	5170280025
8	1	piston rod seal T7 20 x 26	5160220
9	1	scraper W4 – 20 x 30	5160320
10	1	piston seal TPM 32 x 24	5160132
11	1	o-ring 16 x 2, 90 shore	5170160020
12	2	straight union	515021000813
		seal kit	516003220601



OPTIMAL 650 o/s	Hydraulic System
 OPTIMAL-Vertriebs-Optiz GmbH Eyssolden M 41 D-91177 Thalmassing	

TREE SPADE OPTIMAL 650 o/s - SPARE PARTS

HYDRAULIC SYSTEM

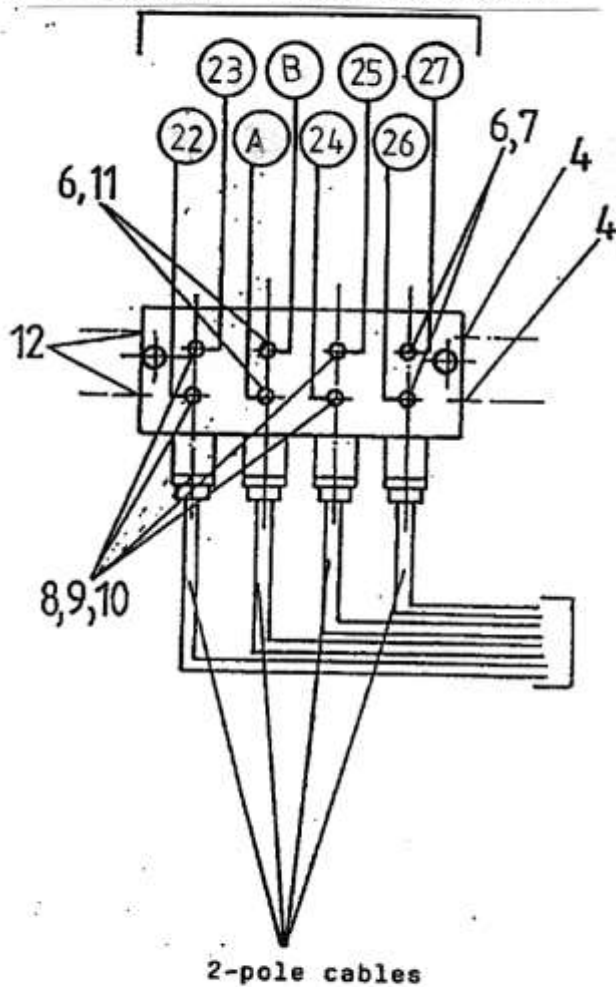
<u>Item</u>	<u>Quantity</u>	<u>Description</u>	<u>Part Number</u>
1	14	union	515021000813
2	2	union	515070511017
3	3	union	515070510813
4	1	oil flow regulator	515DSSS6
	1	metric adaptor, JIC ½ -20 UNF	39985910
5	1	manifold	30511033
6	4	double pipe clamps	510112
7	4	hose retainer	50960080
8	1	hydraulic hose 1 – 91 cm (36")	513062091013
9	1	hydraulic hose 2 – 125 cm (49")	513062125011
10	1	hydraulic hose 3 – 261 cm (103")	513062261011
11	1	hydraulic hose 4 – 166 cm (65")	513062166011
12	1	hydraulic hose 5 – 193 cm (76")	513062193011
13	1	hydraulic hose 6 – 287 cm (113")	513062287011
14	1	hydraulic hose 7 – 150 cm (59")	513062150011
15	1	hydraulic hose 8 – 111 cm (44")	513062111011
16	1	hydraulic hose 9 – 33 cm (13")	513062033011
17	1	hydraulic hose 10 – 170 cm (67")	513062170011
18	1	hydraulic hose 11 – 170 cm (67")	513062170012

TREE SPADE OPTIMAL 650 o/s - SPARE PARTS

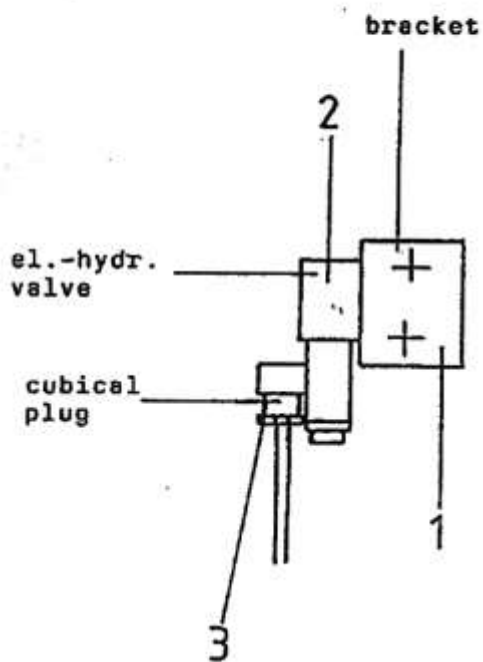
HYDRAULIC SYSTEM

<u>Item</u>	<u>Quantity</u>	<u>Description</u>	<u>Part Number</u>
19	1	hydraulic hose 12 – 33 cm (13")	513062033012
20	1	hydraulic hose 13 – 114 cm (45")	513062114011
21	1	hydraulic hose 14 – 113 cm (44")	513062113011
22	1	hydraulic hose 15 – 25 cm (10")	513062025012
23	1	hydraulic hose 16 – 27 cm (11")	513062027013
24	1	hydraulic hose 17 – 29 cm (12")	513102029013
25	1	hydraulic hose 18 – 27 cm (11")	513102027013
26	1	hydraulic hose 19 – 19 cm (7")	513062019013
27	1	hydraulic hose 20 – 15 cm (6")	513062015013

FOR NUMBERS PLEASE REFER
TO DRAWING "HYDRAULIC SYSTEM"



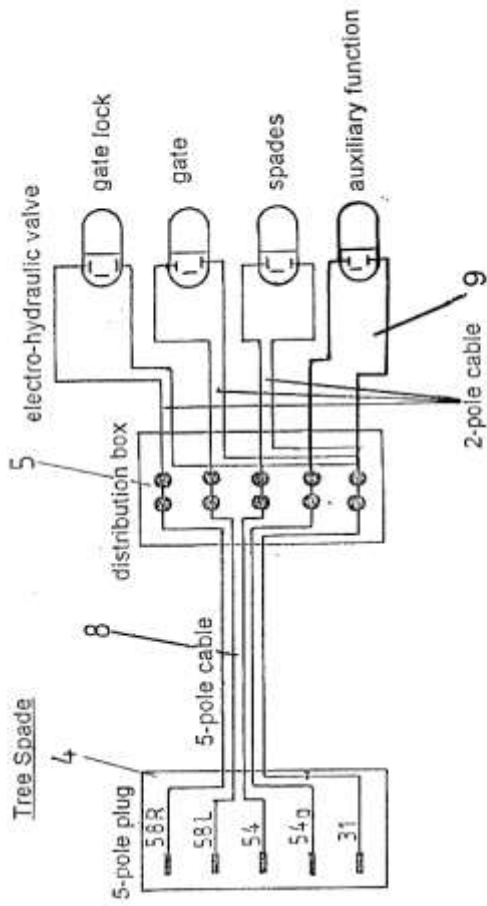
(A); (B) provision for additional functions



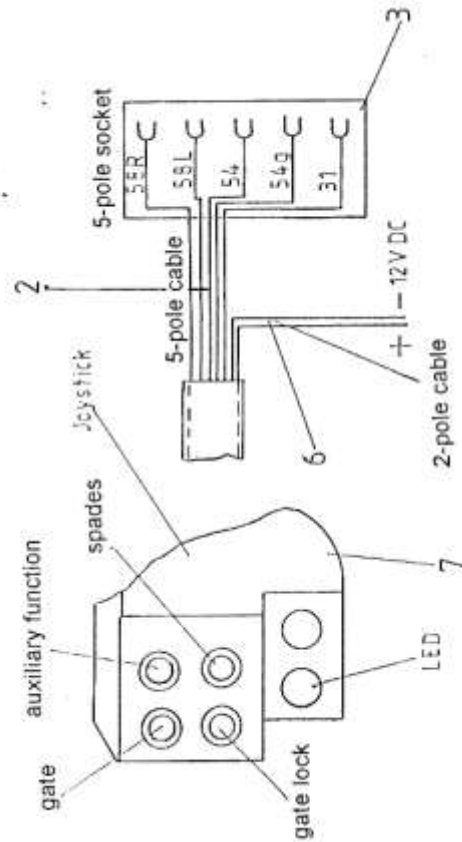
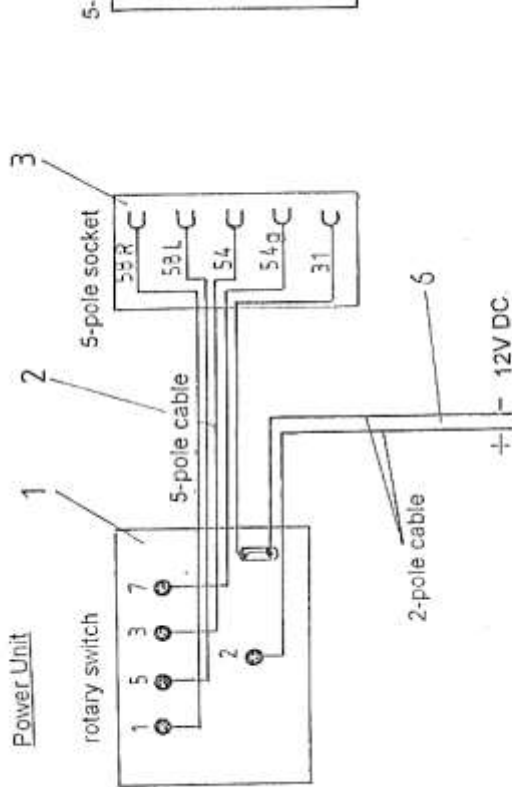
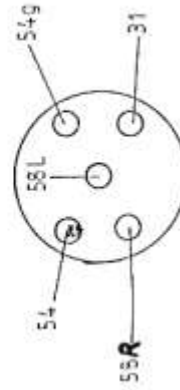
TREE SPADE OPTIMAL 650 o/s - SPARE PARTS


HYDRAULIC SYSTEM - VALVE BANK

<u>Item</u>	<u>Quantity</u>	<u>Description</u>	<u>Part Number</u>
1	1	bracket	547005
2	4	electro-hydraulic valve NG06 12U	547001
3	4	cubical plug 6DM-211-RE-GRAU-A	5476DM
4	2	union	515070391221
5	2	union	5150103312
6	4	union	515021001017
7	2	union	5150701710
8	4	union	515021000813
9	4	union	515RI3/8x1/4
10	4	union	515071708
11	2	union	5150103310
12	2	union	515VST11/2



- 58R - blue
- 58L - yellow/green
- 54 - black (next to brown)
- 54g - black
- 31 - brown



	OPTIMAL-Vertrieb Optitz GmbH Eysölden M 41 D-81177 Thalmassing
	OPTIMAL 650 o/s
Electrical System	

TREE SPADE OPTIMAL 650 o/s - SPARE PARTS

ELECTRIC CONTROLS

<u>Item</u>	<u>Quantity</u>	<u>Description</u>	<u>Part Number</u>
1	1	switch CA10A	5470A242-521
2	2	cable 5 x 1.5, length 20'	5125015
3	1	5-pole socket	5998JB001940
4	1	5-pole plug	5998JA001916
5	1	el. distributor box	5998KV002142
6	2	cable 2 x 1.5 - 5" long	5122015
7	1	Joystick	560001
8	1	cable 5 x 1,5 – 67" long	5125015
9	1	auxiliary - cable 2 x 1,5 – 16" long	5122015
	1	spades - cable 2 x 1,5 – 18" long	5122015
	1	gate - cable 2 x 1,5 – 20" long	5122015
	1	gate lock - cable 2 x 1,5 – 21" long	5122015

Trouble Shooting

1. Nothing moves. (none of the hydraulic functions works)
 - Electricity supply to rotary switch is interrupted. Check fuses at power unit.
 - Hydraulic disconnect is not properly attached. Check attachment.

2. Two hydraulic functions (e.g. gate lock and spades) work at the same time.
 - On one of the valves the plunger does not move.
This defect might be caused by a dirt particle. Disassemble and clean the respective valve.
 - If this does not solve the problem, the valve is damaged and must be replaced.

3. After the blades have been retracted and the valve has been relieved, they immediately move down again.
 - If the spades move down a short way only, the oil supply of the pump might be too high.
Oil flow of power unit must be regulated by service of manufacturer.
 - If the spades move down all the way, the seals in the spade cylinder might be defect und must be replaced.
 - If the spades move down all the way, the spade valve might be defect and must be replaced.

4. The gate does not close and / or lock completely.
 - The adjustment screw at the hinge wants readjustment.
Adjust adjustment screw.
 - The eye joint is worn, bushes must be replaced.

5. Although the gate has been closed and locked properly, the blades do not move down.
 - The safety switch at the lock needs readjustment.
 - The electricity supply is interrupted. Check fuses at power unit.

6. The blades do not close properly although the spade cylinders are fully extended.
 - Guides are worn and must be replaced.
 - Blades are bent and have to be adjusted.

7. One function (any) does not work.
 - The electricity supply is interrupted. Check power circuit.
 - The magnet of the respective control valve is defect. Valve must be replaced.
 - The plunger of the control valve is seized, probably due to a dirt particle in the hydraulic oil. Disassemble valve and clean.

Trouble Shooting - individual spade control

8. The spades cannot be operated individually, i.e. all spades move at the same time.
 - Controls were not switched to individual control. (When working in the individual control mode, the red light must show red.)
 - Circuit board is defect and must be replaced.

9. One of the blades moves even when not actuated.
 - The electricity between valve and blade has been interrupted.
 - Valve of the respective blade is defect. Replace valve.

10. None of the hydraulic functions works.
 - Electricity supply to joy stick is interrupted. Check fuses at power unit.
 - Hydraulic disconnect is not properly attached. Check attachment.
 - Circuit board is defect and must be replaced.



LIMITED WARRANTY

Optimal-Vertrieb Opitz GmbH ("Opitz") warrants that this product will be free from defects in material and workmanship for a period of 6 months from the date of purchase (the "Warranty Period"). If, during the Warranty Period, this product proves to be defective, Opitz will remedy the defect by either repairing or replacing the product or any of its defective parts, at Opitz's option.

If you need warranty service, you must, prior to the lapse of the Warranty Period, file a claim, together with proof of purchase and your original Warranty Certificate received at the purchase of the product, with Fieldworks Nursery Equipment Grand Bay AL 36541; USA. After a warranty claim is properly filed, Opitz or its designated representative will evaluate the warranty claim. This warranty is conditioned upon your reasonable cooperation with Opitz in the evaluation of your warranty claim and the implementation of any remedy. When supplying replacement product or parts under this warranty, Opitz reserves the right to substitute product or parts of comparable value and design for any discontinued designs. This warranty is not transferable and applies only to the original consumer purchaser.

Opitz does not assume any responsibility for failures, breakage or causes which result from abuse, misuse, negligence, faulty operation, unauthorized repair or alteration, accident, fire, winds, floods, moisture, other unfavorable atmospheric conditions or other causes beyond Opitz's reasonable control or from failure to operate or maintain the product in accordance with the Opitz Operation Manual (a copy of which is provided to you with the product) or from normal wear and tear under normal usage. **OPITZ EXCLUDES AND WILL NOT PAY ANY INCIDENTAL AND CONSEQUENTIAL DAMAGES ARISING OUT OF THE PURCHASE OR USE OF THE PRODUCT.** By this Opitz means any loss, expense or damage other than to the product itself that may result from a defect in the product. Some states do not allow the exclusion or limitation of incidental or consequential damages, so the above limitation or exclusion may not apply to you.

THE DURATION OF ANY IMPLIED WARRANTIES ARE LIMITED TO THE DURATION OF THE COVERAGE PROVIDED BY THIS LIMITED WARRANTY AS INDICATED ABOVE; PROVIDED, HOWEVER, THAT NOTHING IN THIS LIMITED WARRANTY SHALL GIVE YOU ANY IMPLIED WARRANTIES YOU WOULD NOT OTHERWISE HAVE, EXTEND THE SAME BEYOND THEIR CUSTOMARY DURATION, OR MAKE OPITZ LIABLE FOR ANY IMPLIED WARRANTIES THAT IT WOULD NOT BE LIABLE FOR IF THIS LIMITED WARRANTY HAD NOT BEEN GIVEN. Some states do not allow limitations on how long an implied warranty lasts, so the above limitation may not apply to you.

This warranty shall apply only to product that is purchased and used within the United States. This warranty gives you specific legal rights, and you may also have other rights that vary from state to state.

Date of Sale: Product Sold:

Product Serial Number: Expiration Date of the Warranty:

Name and Address of Buyer:
.....
.....
.....

Signature of Buyer: