



Optimal

optimal 760



Tree Spade



Requirements for Power Unit:

A Wheel Loader, Skid Steer Loader, Telescopic Loader

- 1 extra hydraulic circuit, double-acting, for implement attachment at front
- hydraulic working pressure 160 - 200 bar (2,300 - 2,900 lbs./in²)
- oil flow 40-60 l per minute (18-22 GPM)
- tipping load approx. 1.800 kg (3,600 lbs.)
- lift capacity approx. 1.200 kg (1,800 lbs.)
- type of attachment quick-change frame or frame for fixed attachment
- controls: electro-hydraulic valves, rotary control switch

B Farm Tractor

- hydraulic working pressure 160 - 200 bar (2,300 - 2,900 lbs./in²)
- oil flow 40-60 l per minute (18-22 GPM)
- engine capacity approx. 60 HP
- type of attachment lift mast HG 1500 with lateral slide
- controls 3 manual hydraulic valves for lift mast, rotary control switch for tree spade
- optional: PTO-driven hydraulic pump and oil depot

C Special Attachments please inquire



Optimal

optimal 760



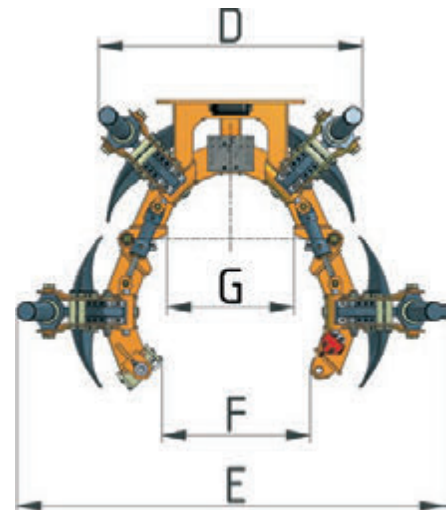
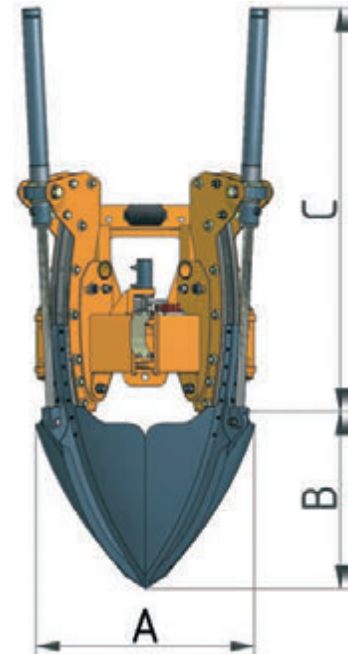
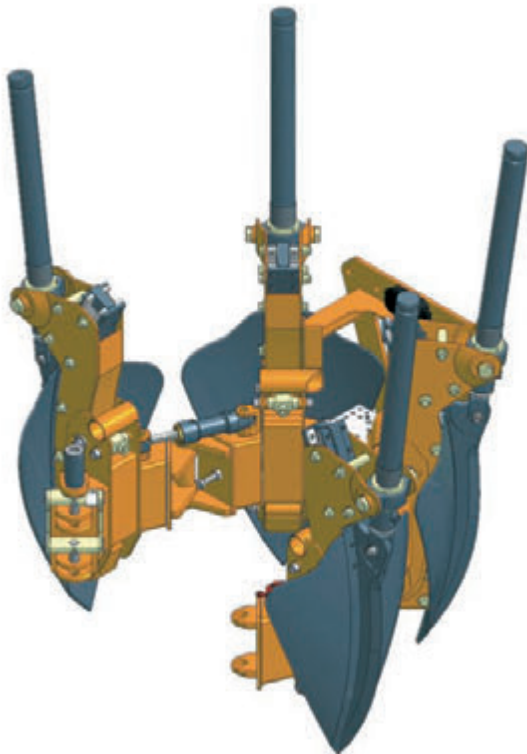
Tree Spade

Basic Machine:

upper rootball diameter, approx.	A	76 cm	(30")
rootball depth, approx	B	60 cm	(24")
working height	C	140 cm	(55")
working width, gate closed	D	89 cm	(35")
working width, gate open	E	145 cm	(57")
clearance between open gate	F	50 cm	(20")
inner frame diameter	G	43 cm	(17")
weight, empty		470 kg	(1,034 lbs.)
volume of rootball, approx.		0,13 m ³	(4 FT ³)
number of blades		4	

Special Features

- extra large rootball depth
- collapsible spade towers for fast and precise spade alignment
- self-lubricating bearings, abrasion-resistant
- gate lock with safety switch



rotary control switch



Distributor:

Prichard's Nursery Equipment, LLC
 604 West Market Street
 P.O. Box 549
 Portland, TN 37148
 USA
 Phone: (423)326-0753
 Fax: (615)323-7667
 sales@optimaltreespades.com
 www.optimaltreespades.com



Manufacturer:

Optimal-Vertrieb Opitz GmbH
 Eysölden M 41
 91171 Thalmässing
 Germany
 Tel. + 49 91 73/79 18 0
 Fax. + 49 91 73/79 18 49
 info@opitz-optimal.com
 www.opitz-optimal.com

