



**Optimal**

# optimal 30.25



Tree Spade



Requirements for Power Unit:

## **A** Wheel-Loader, Skid Steer Loader, Telescopic Loader

1 extra hydraulic circuit at front, double-acting, for implements

- hydraulic working pressure 160 - 220 bar (2,300 - 3,190 lbs./in<sup>2</sup>)
- oil flow 40-80 l per minute (11-22 GPM)
- tipping load approx. 2.400 kg (5,300 lbs.)
- lift capacity approx. 1.200 kg (2,650 lbs.)
- type of attachment quick-change frame
- controls electro-hydraulic valves, individual blade control electric control element

## **B** Farm Tractor

1 extra hydraulic circuit, at front or back, double-acting, for implements

- hydraulic working pressure 160 - 220 bar (2,300 - 3,190 lbs./in<sup>2</sup>)
- oil flow 40-80 l per minute (11-22 GPM)
- engine capacity, approx. 60 HP
- type of attachment lift mast HG 1500 with lateral slide
- controls 3 manual hydraulic valves for lift mast and electric control element for tree spade
- optional PTO-driven hydraulic pump and oil depot

## **C** For Special Attachments

please inquire



**Optimal**

# optimal 30.25



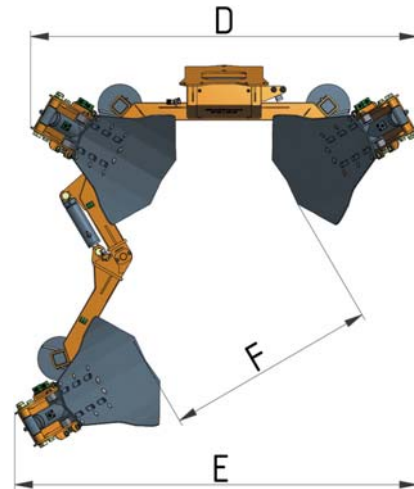
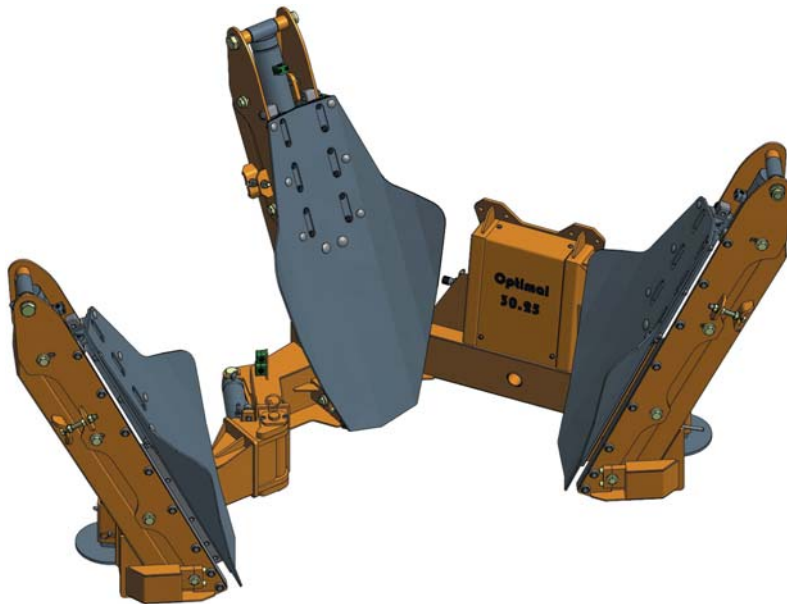
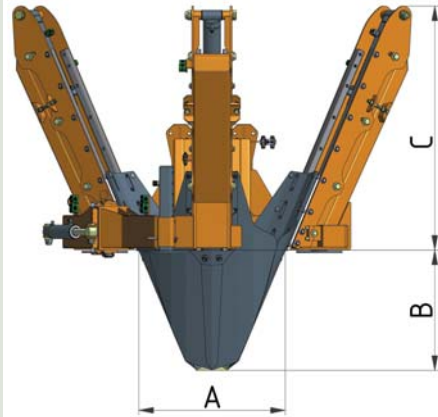
Tree Spade

### Basic Machine:

upper rootball diameter, approx.	A	78 cm	(31")
rootball depth, approx.	B	66 cm	(26")
working height	C	135 cm	(53")
working width, gate closed	D	216 cm	(85")
working width, gate open	E	226 cm	(89")
clearance between open gate	F	117 cm	(46")
weight, empty		790 kg	(1,742 lbs.)
volume of rootball, approx.		0,14 m <sup>3</sup>	(5 FT <sup>3</sup> )
number of blades		3	

### Special Features & Improvements

- Individual spade control
- sturdy frame with enlarged cross-section and reinforced hinge
- mechanism for infinitely adjustable and precise spade alignment
- self-lubricating bearings, abrasion-resistant
- improved hydraulic system for faster operation
- less working height due to telescopic cylinders

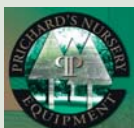


Electric control element



Distributor:

Prichard's Nursery Equipment, LLC  
 604 West Market Street  
 P.O. Box 549  
 Portland, TN 37148  
 USA  
 Phone: (423) 326-0753  
 Fax: (615) 323-7667  
 sales@optimaltreespades.com  
 www.optimaltreespades.com



Manufacturer:

Optimal-Vertrieb Opitz GmbH  
 Eysölden M 41  
 91177 Thalmässing  
 Germany  
 Tel. + 49 91 73/79 18 0  
 Fax. + 49 91 73/79 18 49  
 info@opitz-optimal.com  
 www.opitz-optimal.com

