



# optimal 2200



Tree Spade



Requirements for Power Unit:

## A Wheel Loader, Telescopic Loader

- 1 extra hydraulic circuit, double-acting, for implement attachment at front
- hydraulic working pressure 200 - 230 bar (2,900 - 3,340 lbs./in<sup>2</sup>)
- oil flow 100 - 120 l per minute (22 - 34 GPM)
- tipping load approx. 18.000 kg (39.600 lbs.)
- lift capacity approx. 10.000 kg (22,000 lbs.)
- type of attachment quick-change frame or frame for fixed attachment
- controls: electro-hydraulic valves control element

## B Truck

- wheel formula: 6 x 6
- payload: 14.000 kg (30,800 lbs)
- permissible rear axles load, min.: 2 x 10.000 kg (2 x 22,000 lbs.)
- permissible gross weight min.: 26.000 kg (57,200 lbs.)
- length of superstructure, min.: 510 cm (201")
- overhang max.: 90 cm (35")
- wheelbase min.: 390 cm (154")
- PTO drive hydraulic pressure: 200 - 230 bar (2,900 - 3,340 lbs/in<sup>2</sup>)
- oil flow: 100 - 120 l per minute (22 - 34 GPM)
- raised exhaust controls: manual hand valves

## C Special Attachments please enquire



# optimal 2200

Optimal



Tree Spade

### Basic Machine:

upper rootball diameter, approx.	A	220 cm	(87")
rootball depth, approx	B	145 cm	(57")
working height	C	273 cm	(107")
working width, gate closed	D	250 cm	(98")
working width, gate open	E	380 cm	(150")
clearance between open gate	F	181 cm	(71")
inner frame diameter	G	157 cm	(62")
weight, empty		5.100 kg	(11,220 lbs.)
volume of rootball, approx.		2,5 m <sup>3</sup>	(84 FT <sup>3</sup> )
number of blades		4	

### Special Features

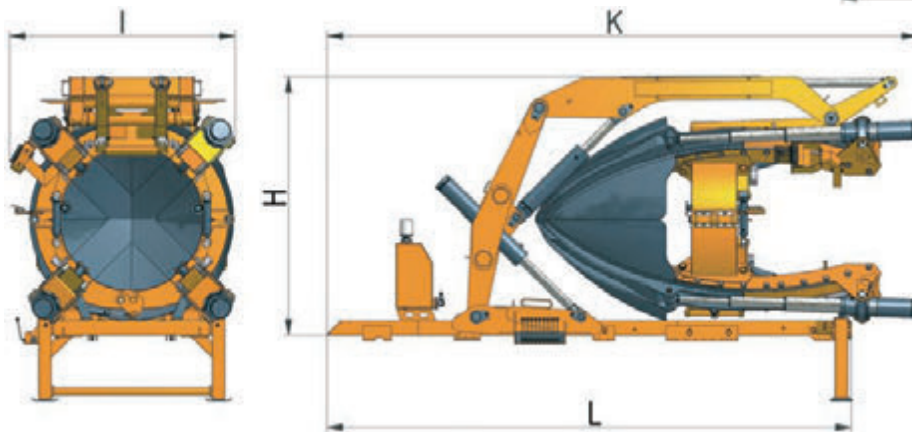
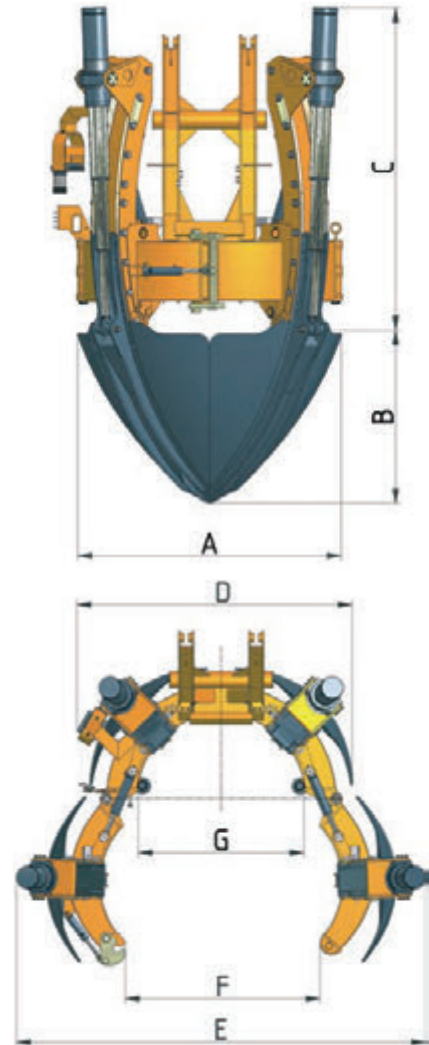
- telescopic blade cylinders, self-lubricating bearings (abrasion-resistant), folding out spade towers

### Superstructure:

transport height	H	283 cm	(111")
transport width	I	248 cm	(98")
min. length of truck platform	L	510 cm	(201")
overall length of superstructure (platform length + overhang)	K	590 cm	(232")
weight, empty		9.800 kg	(21,560 lbs.)

- Base frame (to be bolted to truck chassis),
- 2 articulated lift arms, digging head (as above), rotation on lift arm,
- 2 independently controlled rear stabilizers,
- hydraulic equipment complete with oil tank, hoses, cylinders and manual control valves

The purchaser must ensure that the combination of his truck and the Optimal tree spade is legal for highway use. Optimal-Vertrieb Opitz GmbH reserves the right to make changes in engineering, design and specifications



Distributor:

Prichard's Nursery Equipment, LLC  
 604 West Market Street  
 P.O. Box 549  
 Portland, TN 37148  
 USA  
 Phone: (423)326-0753  
 Fax: (615)323-7667  
 sales@optimaltreespades.com  
 www.optimaltreespades.com



Manufacturer:

Optimal-Vertrieb Opitz GmbH  
 Eysölden M 41  
 91171 Thalmässing  
 Germany  
 Tel. + 49 91 73/79 18 0  
 Fax. + 49 91 73/79 18 49  
 info@opitz-optimal.com  
 www.opitz-optimal.com

