



# optimal 880



Requirements for Power Unit:

## A Wheel-Loader, Skid Steer Loader, Telescopicloader

1 extra hydraulic circuit, double-acting, for implement attachment at front

- hydraulic working pressure 160 - 200 bar (2300-2900 lbs./in<sup>2</sup>)
- oil flow 40-60 l per minute (11-22 GPM)
- tipping load approx. 2.500 kg (4,000 lbs.)
- lift capacity approx. 1.500 kg (2,000 lbs.)
- type of attachment quick-change frame or frame for fixed attachment
- controls electro-mechanic valves, rotary control switch

## B Farm Tractor

1 extra hydraulic circuit, double-acting, for implement attachment at rear

- hydraulic working pressure 160 - 200 bar (2300-2900 lbs./in<sup>2</sup>)
- oil flow 40-60 l per minute (11-22 GPM)
- engine capacity, approx. 60 HP
- type of attachment lift mast HG 1500 with lateral slide
- controls 3 manual hydraulic valves for lift mast rotary control switch for tree spade
- optional PTO-driven hydraulic pump and oil depot

## C Special attachments please inquire



**Optimal**

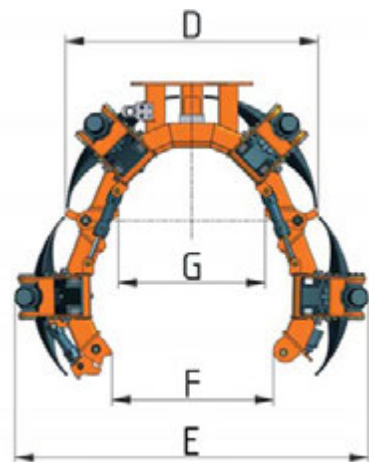
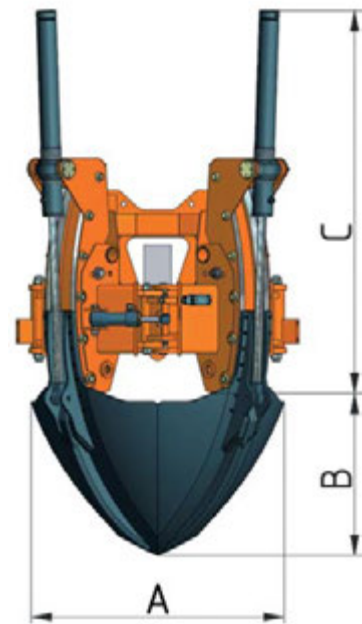
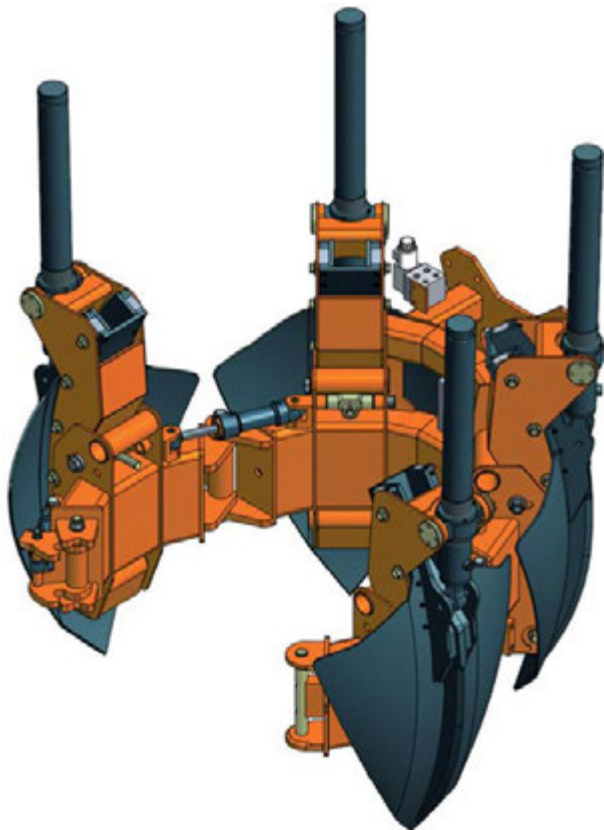
# optimal 880

## Basic Machine:

upper rootball diameter, approx.	A	90 cm	(36")
rootball depth, approx.	B	60 cm	(24")
working height	C	150 cm	(59")
working width, gate closed	D	110 cm	(43")
working width, gate open	E	150 cm	(59")
clearance between open gate	F	70 cm	(28")
inner frame diameter	G	60 cm	(24")
weight, empty		589 kg	(1,296 lbs.)
volume of rootball, approx.		0,18 m <sup>3</sup>	(6 FT <sup>3</sup> )
number of blades		4	

## Special Features

- collapsible spade towers for fast and precise spade alignment
- self-lubricating bearings, abrasion-resistant
- one central oil manifold
- sturdy frame with enlarged cross-section and reinforced hinges



rotary control switch



Distributor:

Prichard's Nursery Equipment LLC  
P.O. Box 549  
Portland, TN 37148  
USA  
Phone: 4233260753  
Fax: 6153237667  
sales@optimaltreespades.com  
www.optimaltreespades.com



Manufacturer:

Optimal-Vertrieb Opitz GmbH  
Eysölden M 41  
91171 Thalmässing  
Germany  
Tel. + 49 91 73/79 18 0  
Fax. + 49 91 73/79 18 49  
info@opitz-optimal.com  
www.opitz-optimal.com

