



Optimal

optimal 350



Tree Spade

Requirements for Power Unit:

A Wheel Loader, Skid Steer Loader, Telescopic Loader

1 extra hydraulic circuit, double-acting, for implement attachment at front

- hydraulic working pressure 140 - 180 bar (2,000-2,560 lbs./in²)
- oil flow 20-30 l per minute (5-8 GPM)
- tipping load approx. 400 kg (880 lbs.)
- lift capacity approx. 250 kg (550 lbs.)
- type of attachment quick-change frame or frame for fixed attachment
- controls: electro-hydraulic valves rotary control switch

B Mini Excavator

1 extra hydraulic circuit, double-acting, for implement attachment at front

- hydraulic working pressure 140 - 180 bar (2,000-2,560 lbs./in²)
- oil flow 20-30 l per minute (5-8 GPM)
- operation weight 1,5 – 2,5 t (3,000 lbs.)
- type of attachment quick-change frame or frame for fixed attachment
- controls electro-hydraulic valves rotary control switch

C Special Attachments please inquire



Optimal

optimal 350



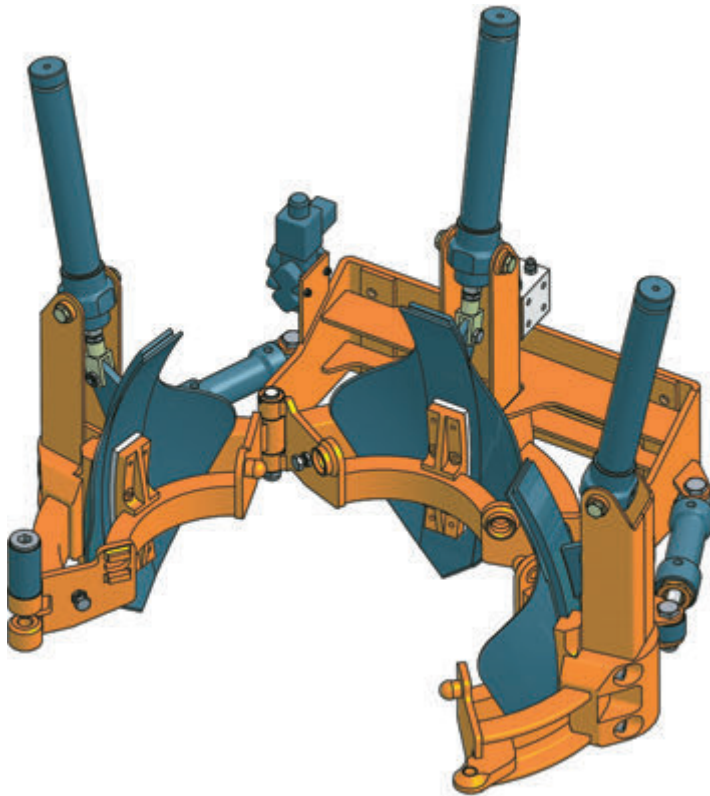
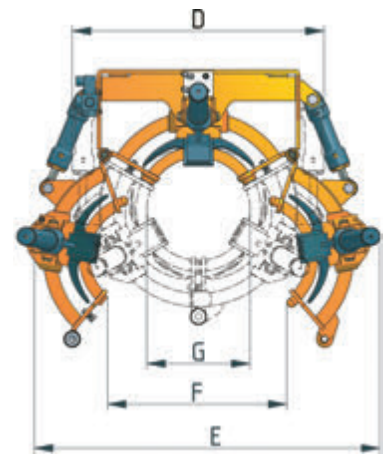
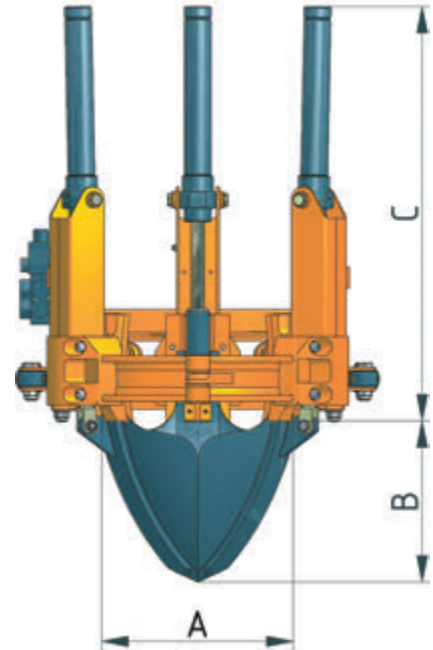
Tree Spade

Basic Machine:

upper rootball diameter, approx.	A	36 cm	(14")
rootball depth, approx.	B	30 cm	(12")
working height	C	78 cm	(31")
working width, gate closed	D	69 cm	(27")
working width, gate open	E	99 cm	(39")
clearance between open gate	F	48 cm	(19")
inner frame diameter	G	28 cm	(11")
weight, empty		150 kg	(330 lbs.)
weight of the rootball, approx.		30 kg	(66 lbs.)
number of blades		3	

Special Features

- self-lubricating bearings, abrasion-resistant
- inner frame and outer frame
- adjustable spade alignment

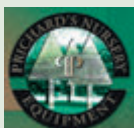


rotary control switch



Distributor:

Prichard's Nursery Equipment, LLC
 604 West Market Street
 P.O. Box 549
 Portland, TN 37148
 USA
 Phone: (423)326-0753
 Fax: (615)323-7667
 sales@optimaltreespades.com
 www.optimaltreespades.com



Manufacturer:

Optimal-Vertrieb Opitz GmbH
 Eysölden M 41
 91171 Thalmässing
 Germany
 Tel. + 49 91 73/79 18 0
 Fax. + 49 91 73/79 18 49
 info@opitz-optimal.com
 www.opitz-optimal.com

